



# SUPPLY BOLLARDS

FOR DISTRIBUTION  
OF ENERGY AND SERVICES



## SUPPLY BOLLARDS

THE COMPANY	04-05
INTRODUCTION	06-09
GALLERY	10-11
TECHNICAL SHEET	12-51
URBAN DESIGN LINE	12-25
INDUSTRIAL LINE	26-29
HARBORS & MARINA LINE	30-37
CAMPING LINE	38-47
RECHARGE STATION	48-51
EQUIPMENTS	52-61
PREPAID SYSTEM WITH CONTROL TOTEM	62-65
FINISHES	66

## NEW VMR S.r.l.

is an Italian company, born with goal to provide innovative solutions to improve the quality of urban spaces, with an eye on respecting the environment by preferring ecofriendly materials and low environmental impact systems.

New VMR designs and manufactures smart systems for the distribution of services, complementing its proposal with sober and elegant designed urban furnishing accessories, using exclusively ecofriendly materials and high-quality stainless steel.



## ABOUT US

New VMR S.r.l. proudly creates made in Italy products and is specialised in the manufacture of retractable power tower and bollard for the supply of electric power and complementary services.

It's a strong dynamic and entirely Italian company that can boast its young team with a twenty-year experience in the sector and its high-quality products, always capable of meeting the clients' needs with tailor-made projects and designs.

The company was founded in 2003 in Cantù, Italy, from the collaboration of a young and dynamic staff and its desire to take a challenge; shortly after New VMR S.r.l. reached the global market and now is trying to go on even further in order to become a strong personality in the sector, renowned worldwide.

## MISSION

The company's goal is to offer smart and consistent solutions to the canons of design and urban furniture that allows to Socketrve the beauty of the landscape and the integrity of the architectural style of buildings, towns and historic city centres. That's not all: the company's products are designed by respecting the natural environment, choosing ecological and ecofriendly materials, resulting in to obtain t he lowest environmental impact as possible. Moreover, the satisfaction of clients and partners is a key factor and a priority for the company; New VMR S.r.l. proves his commitment by offering flexibility and professionalism when it comes down to creating tailor-made products manufactured with high-quality materials of an elegant, sophisticated design.

## FIVE REASONS TO CHOOSE NEW VMR S.R.L.

### INNOVATION AND RELIABILITY ...

Socketnt on the market since 2003, New VMR S.r.l. has always specialised in the design and production of fixed supply units and bollards for cities, marinas, harbors, waterfronts and camping sites, in addition to the line of retractable power towers for squares and historic centers. High quality materials and components guarantee reliability and durability over time.

### AN ELEGANT AND INTELLIGENT SOLUTION

The fixed units and bollards for the distribution of energy and services reSocketnt an intelligent solution for urban furnishing: they can be adapted to any kind of environment thanks to the use of different finishes. More advantages can be obtained by using the New VMR S.r.l. fixed supply units and bollards, already a symbol of high quality and safety: in fact, it's possible to integrate lighting, data transmission and audio systems.

### FIELDS OF APPLICATION

In public spaces they are used for squares, market areas, hotels and lodges, historic centers, public parks, sports centers, shopping centers, piers and marinas, caravan parks and camping areas, airports and hangars, railway and underground stations, as well as stadiums. On the other hand, in private environments they are installed in places such as villas, gardens, s wimming pools, condominium spaces, workshops and industrial warehouses. Supply units and bollards reSocketnt a highly functional and design aspect everywhere.

### TAILOR-MADE DESIGN

Thanks to a young, dynamic internal staff and international partners, New VMR S.r.l. offers a complete service of tailor-made design, in order to meet the needs of our clients in terms of dimensioning and design of the products. The structure of the bollards is made of AISI304 stainless steel (or AISI316L stainless steel on request), painted with epoxy polyester powder, available in a wide range of different colours, ideal for installations on the street or in pedestrian areas.

### EQUIPMENT: ELECTRIC SOCKETS AND MORE!

Urban Technology line by New VMR S.r.l. consists in fixed supply units and bollards, fully personalisable to meet clients' needs: the customisation of the services and their management are now a fundamental necessity for utility operators in both public and private sectors. New VMR S.r.l. products allow the safe distribution of electricity, water, compressed air, speech systems, data transmission and much more! The solutions are not limited to the simple creation of switchboards: our distribution units are evolving, becoming smart thanks to the integration of prepaid systems and remote monitoring of consumption.

# SUPPLY BOLLARDS

URBAN DESIGN LINE

INDUSTRIAL LINE

HARBORS & MARINA LINE

CAMPING LINE

RECHARGE STATION

## WHICH MODEL TO CHOOSE?

*With several options to choose from, which one is best for my needs?*

The Urban Technology line by New VMR S.r.l. is divided in to many secondary lines, each of fixed supply units and bollards, each one designed for specific fields of application and installations.

### URBAN DESIGN LINE

The Urban Design line by New VMR S.r.l. consists in supply bollards for the distribution of energy power and services with a sophisticate and modern design, perfect to be installed in our cities as a smart element of urban furnishing, even in amusement parks!

This line, as well as the other manufactured by New VMR S.r.l., is made of stainless steel; not only elegant, but also resistant over time and fully customisable with different colours and finishes, with the chnace to add outdoor lighting LED systems.

All of them come with a door with cable outlet, in order to be used closed, (also available with prepaid system and rechargeable BADGE cards).

It's possible to choose between different options and types of supply units and bollards:

#### **ROUND MODELS WITH DIAMETER 250mm**

that can be combined with different heights.

Available designs: Bomber, Cut, Iride, Magnum and Park Paris

#### **ROUND MODELS WITH DIAMETER 325mm**

that can be combined with different heights.

Available designs: Bomber, Cut, Iride, Magnum and Park Paris

#### **ROUND MODELS WITH DIAMETER 500mm**

Available designs: Bomber, Cut, Iride, Magnum and Park Paris

#### **ICEBERG MODEL**

available with two different widths, that can be combined with different heights

#### **MODEL PROXIMA**

available with two different widths, that can be combined with different heights

## INDUSTRIAL LINE

The Industrial line by New VMR S.r.l. offers different solutions for fixed supply units designed for hangars, workshops, warehouses and industrial centers, allowing to have at hand workstations for the distribution of energy power and other services, robust and made of stainless steel, fully personalised with marker lights, reflective stripes and colours, to be clearly visible, avoiding unexpected events and accidents, both indoors and outdoors.

It's possible to choose between different options and types of supply units and bollards:

### MODEL INDUSTRIA

which can come with alimentation input even from above

### MODEL ICEBERG WITHOUT DOOR

available with two different widths, that can be combined with different heights

### MODEL PROXIMA WITHOUT DOOR

available with two different widths, that can be combined with different heights

## HARBORS & MARINA LINE

The Harbors & Marina line by New VMR S.r.l. has been engineered in order to create safer and smarter waterfronts, marinas and harbors with robust fixed supply unit entirely made of AISI304, or AISI316L stainless steel which is suitable to be resistant against saltiness and weather.

New VMR S.r.l. allows to customise its products in order to reflect the spirit and the image of own business with a wide range of colours and styles, giving the option to integrate LED lights, marker lights or reflective stripes and even with prepaid systems with rechargeable BADGE cards.

It's possible to choose between different options and types of supply units and bollards:

### MODEL HARBOR

completed with upped hatch to host the switches

### MODEL ICEBERG WITHOUT DOOR

available with two different widths, that can be combined with different heights

### MODEL PROXIMA WITHOUT DOOR

available with two different widths, that can be combined with different heights

### MODEL MAYA

that can mount equipment on three sides and available with dimension 350x350x350 or 500x500x500 and with two different heights

## CAMPING LINE

The Camping line by New VMR S.r.l. comes with robust fixed supply unit made of stainless steel, designed for campsites and camping areas in order to offer to the clients safe and smart pitches with energy power and water at hand.

New VMR S.r.l. allows to customise its products in order to reflect the spirit and the image of own business with a wide range of colours and styles, giving the option to integrate LED lights and even with prepaid systems with rechargeable BADGE cards.

It's possible to choose between different options and types of supply units and bollards:

### MODEL ICEBERG WITHOUT DOOR

available with two different widths, that can be combined with different heights

### MODEL PROXIMA WITHOUT DOOR

available with two different widths, that can be combined with different heights

### MODEL PRATIKA

available with two different heights and small door to host the switches

### MODEL SIMPLY

available with one side or two sides in order to serve up to four pitches

Moreover, the line comes with exhaust systems too, always made of stainless steel. It is possible to get just the waste water disposal well or combined it with Totem Acqua, a water supply unit that allows to dispose waste waters of cassettes and to activate nebulizers located on the perimeter of the waste water disposal well and get it clean smoothly.

## WALL BOX BOLLARDS FOR ELECTRIC CARS AND MAYA FOR E-BIKE

New VMR S.r.l. provides a safer way to host wall boxes for recharge electric cars with its Urban Design line bollards: the structure made of stainless steel and the IK10-rated for protection against impact and vandal acts.

Models available, according to the size of the wallbox, are diameter:

### ROUND BOLLARDS

with diameter 325 and 500mm and height 1200 or 1350mm

### ICEBERG E PROXIMA

L400 x H1200 with door

Moreover, the fixed supply unit **MAYA** has been re-designed in order to mount sockets to recharge electric bikes. Universities, campus, schools, libraries, companies and cities will can offer a new service to everyone with MAYA for E-Bike: the structure made of stainless steel and painted with many different colours will allow to integrated a smart and elegant design element everywhere.



## URBAN DESIGN LINE

### ROUND BOLLARDS FOR THE DISTRIBUTION OF SERVICES

The round supply units made by New VMR S.r.l. are designed in order to deliver a sober and elegant product, suitable to be installed even in historic and city centres; infact, the functional design given to the bollards allows to Socketrve the architectural style of the surrounding environment.

According to the top's finish, it's possible to choose between five different models:

#### CUT

the bollard without any top and with a flat surface

#### BOMBER

the bollard with a slightly round surface, like a button finish

#### IRIDE

the bollard with a sloping top finish

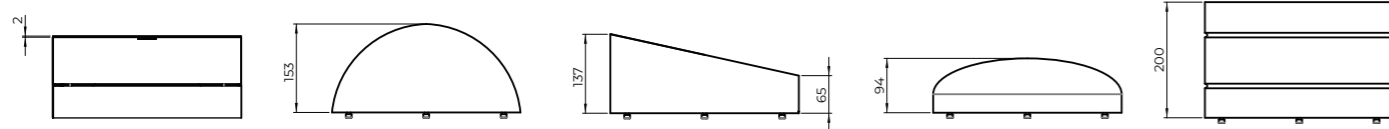
#### MAGNUM

the bollard with a domed top finish

#### PARK PARIS

the bollard with an elegant design finish and flat surface

Each round unit, made of AISI304 or AISI316L stainless steel, comes with a door and cable outlet in order to use it when closed and may come with three different diameters, that can be combined with different heights. The dimensions of these units is determined according to the equipment that has to be fitted inside.



CUT

BOMBER

IRIDE

MAGNUM

PARK PARIS

## GENERAL TECHNICAL DETAILS

### STRUCTURE

Impact resistance IK10

Structure made of AISI304 stainless steel

Structure made of AISI316L stainless steel for waterfronts in sea areas

### CONNECTION SYSTEM

Direct connection to its terminal block

### ELECTRICAL SPECS

Voltage 230V/400V

Frequency from 50hz to 60hz

Standard protection IP44 (IP67 on demand)

Regulation EN 60947-1 and EN 61439

### ADDITIONAL EQUIPMENT

Wall Box for electric car and vehicle charging system

LED lighting diffusor system

Compressed air outlets

Audio / video connectors

RJ-data / video / telephone jacks

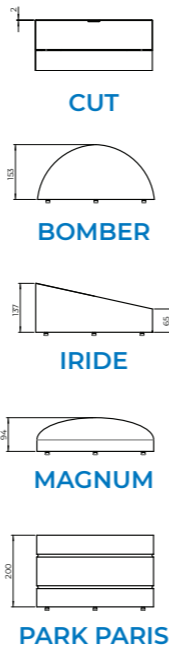
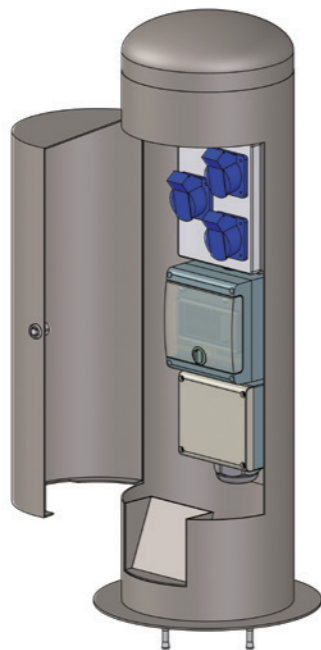
Water outlets / valves 1/2" or 3/4"

Energy consumption meters

Water consumption meters

Prepaid system with rechargeable BADGE cards

## ROUND MODEL D250mm



### MECHANICAL SPECS

Urban Technology by New VMR S.r.l. round supply unit of the Urban Design line for the distribution of energy power and services, model according to its top finish :

- CUT** without top and with flat surface
- BOMBER** with a slightly round surface, like a button finish
- IRIDE** with sloping top finish
- MAGNUM** with domed top finish
- PARK PARIS** with an elegant design finish and flat surface

entirely made of AISI304 stainless steel (AISI316L on demand and if installed in sea areas).

Completed with its door and cable outlet to use the unit even when closed. Internal fastening system and IK10 impact resistance. Painted standard colour micaceous iron grey or special RAL colour with gloss or mat finish on demand and extra charge.

Dimensions: diameter **250mm** with the height suggested by New VMR staff or the one related to a specific equipment **H860** o **H1200mm**.

### ELECTRICAL SPECS

230V/400V tension e frequency between 50/60hz, according to regulation EN 60947-1 and EN 61439. Socket protection is standard grade IP44 (IP67 protection grade for the sockets only on demand; IP67 protection grade may need to change the dimensions of the unit).

Electrical equipment containment box with IP 66 protection IEC 60 529 and CE70-1 double insulation in thermoplastic material free of halogen self-extinguishing halogen, painted gray RAL 7035 resistant to abnormal heat and fire up to 650 ° (incandescent wire test according to IEC 60 695-2 -1).

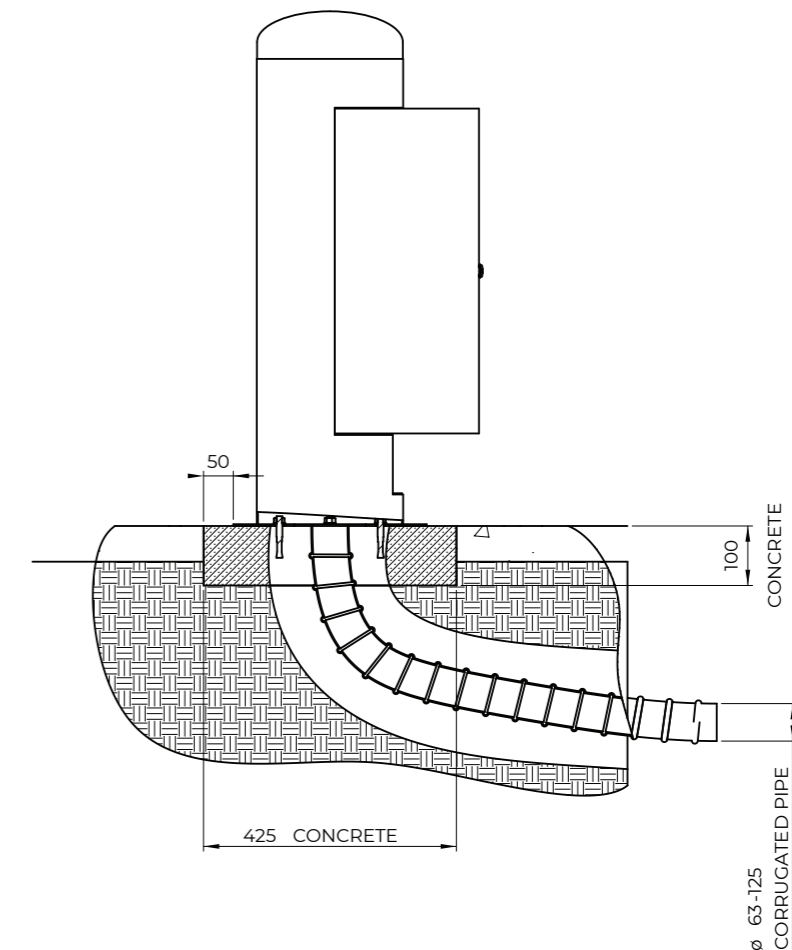
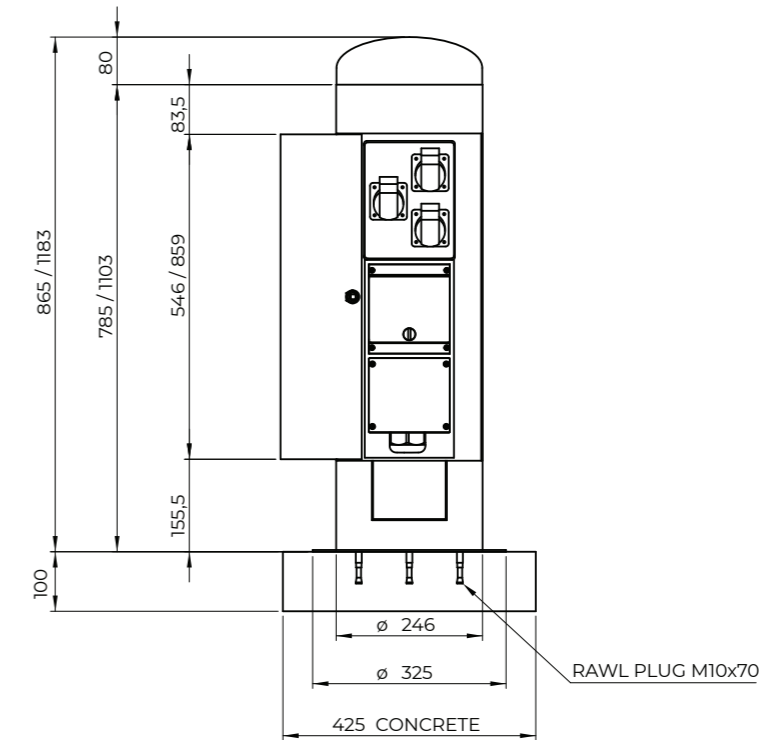
Elastomer sealing gaskets for dimensional stability in continuous operation from -20 ° to + 85 °.

Resistance to chemical agents (water, saline solutions, acids, bases and oils)

and atmospheric agents. Reference standards: CEI 23-48 and IEC 60 670.

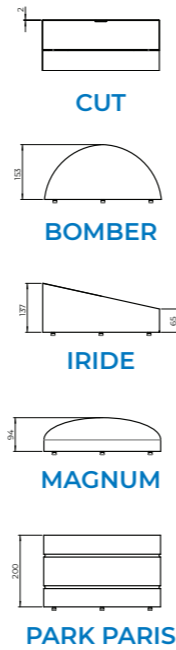
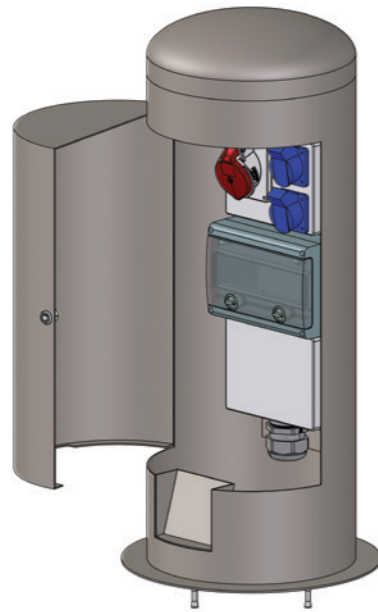
This system is suitable for manufacturing equipment and for places with a higher risk of fire (IEC 64-8 / 7).

### Technical drawing (example)





## ROUND MODEL D325mm



### MECHANICAL SPECS

Urban Technology by New VMR S.r.l. round supply unit of the Urban Design line for the distribution of energy and services, model according to its top finish:

- CUT** without top and with flat surface
- BOMBER** with a slightly round surface, like a button finish
- IRIDE** with sloping top finish
- MAGNUM** with domed top finish
- PARK PARIS** with an elegant design finish and flat surface

entirely made of AISI304 stainless steel (AISI316L on demand and if installed in sea areas).

Completed with its door and cable outlet to use the unit even when closed. Internal fastening system and IK10 impact resistance. Painted standard colour micaceous iron grey or special RAL colour with gloss or mat finish on demand and extra charge.

Dimensions: diameter **325mm** with the height suggested by New VMR staff or the one related to a specific equipment **H860** o **H1200** o **H1350mm**.

### ELECTRICAL SPECS

230V/400V tension e frequency between 50/60hz, according to regulation EN 60947-1 and EN 61439. Socket protection is standard grade IP44 (IP67 protection grade for the sockets only on demand; IP67 protection grade may need to change the dimensions of the unit).

Electrical equipment containment box with IP 66 protection IEC 60 529 and CE70-1 double insulation in thermoplastic material free of halogen self-extinguishing halogen, painted gray RAL 7035 resistant to abnormal heat and fire up to 650 ° (incandescent wire test according to IEC 60 695-2 -1).

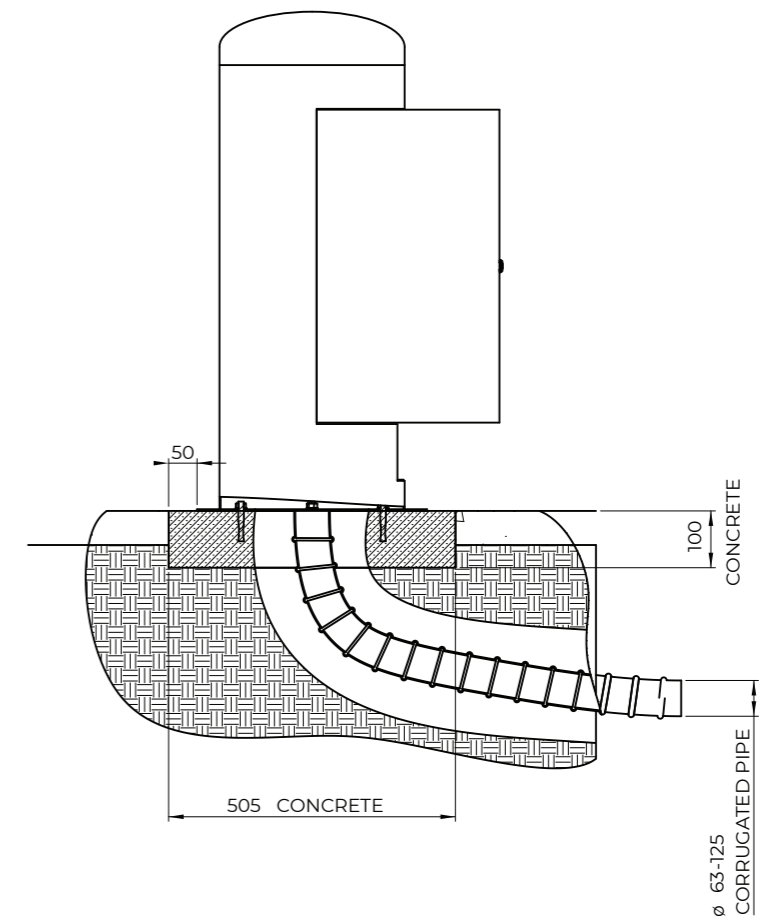
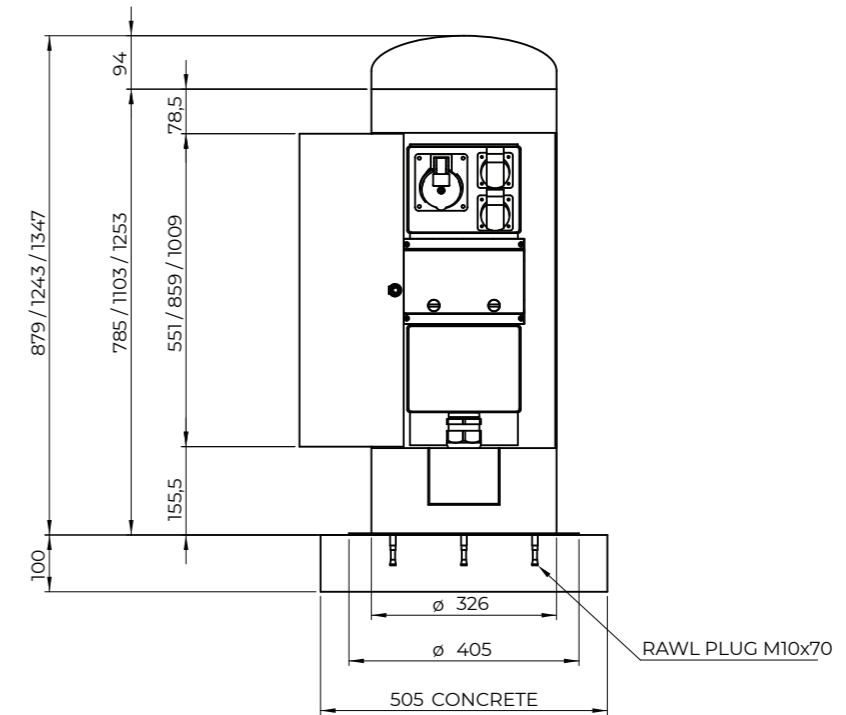
Elastomer sealing gaskets for dimensional stability in continuous operation from -20 ° to + 85 °.

Resistance to chemical agents (water, saline solutions, acids, bases and oils)

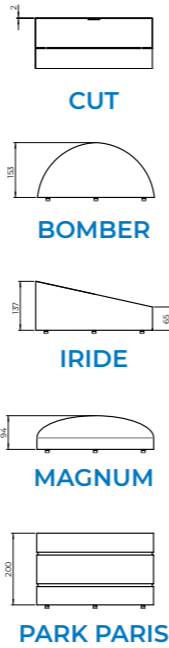
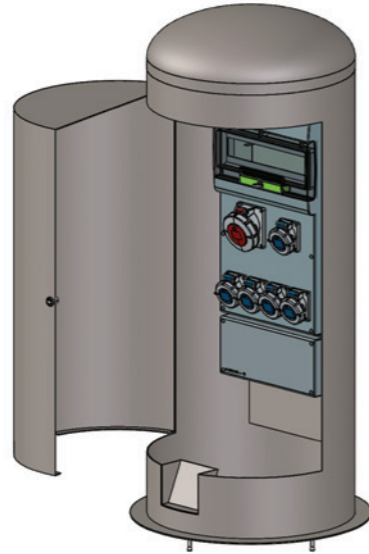
and atmospheric agents. Reference standards: CEI 23-48 and IEC 60 670.

This system is suitable for manufacturing equipment and for places with a higher risk of fire (IEC 64-8 / 7).

### Technical drawing (example)



## ROUND MODEL D500mm



### MECHANICAL SPECS

Urban Technology by New VMR S.r.l. round supply unit of the Urban Design line for the distribution of energy power and services, model according to its top finish:

- CUT** without top and with flat surface
- BOMBER** with a slightly round surface, like a button finish
- IRIDE** with sloping top finish
- MAGNUM** with domed top finish
- PARK PARIS** with an elegant design finish and flat surface

entirely made of AISI304 stainless steel (AISI316L on demand and if installed in sea areas).

Completed with its door and cable outlet to use the unit even when closed. Internal fastening system and IK10 impact resistance. Painted standard colour micaceous iron grey or special RAL colour with gloss or mat finish on demand and extra charge.

Dimensions: diameter **500mm** with the height suggested by New VMR staff or the one related to a specific equipment **H1200** o **H1350mm**.

### ELECTRICAL SPECS

230V/400V tension e frequency between 50/60hz, according to regulation EN 60947-1 and EN 61439. Socket protection is standard grade IP44 (IP67 protection grade for the sockets only on demand; IP67 protection grade may need to change the dimensions of the unit).

Electrical equipment containment box with IP 66 protection IEC 60 529 and CE70-1 double insulation in thermoplastic material free of halogen self-extinguishing halogen, painted gray RAL 7035 resistant to abnormal heat and fire up to 650 ° (incandescent wire test according to IEC 60 695-2 -1).

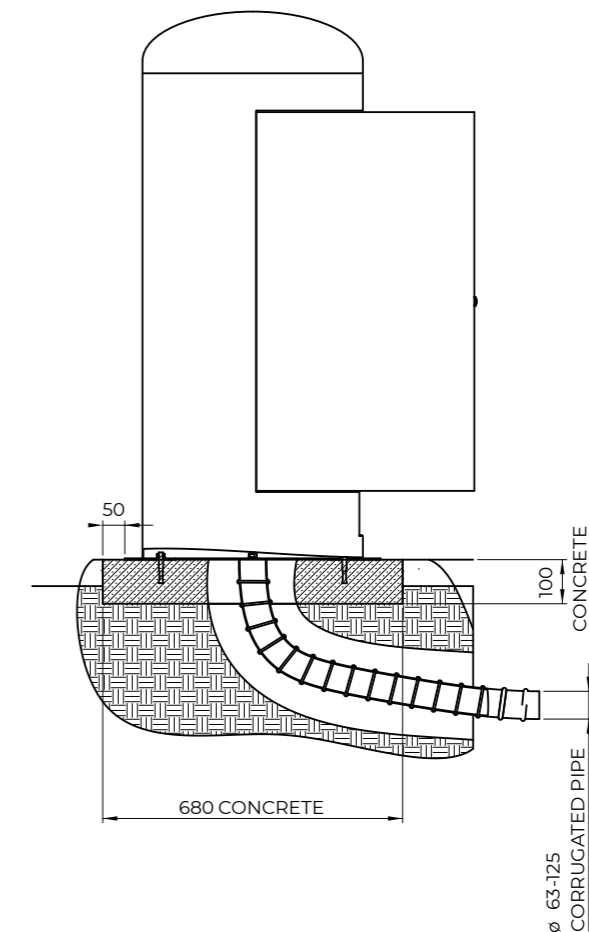
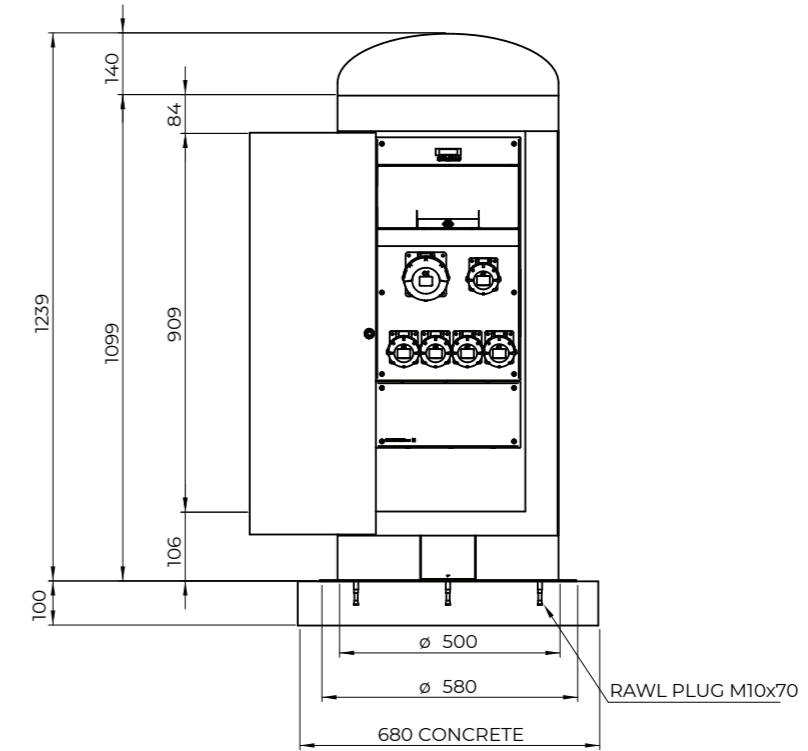
Elastomer sealing gaskets for dimensional stability in continuous operation from -20 ° to + 85 °.

Resistance to chemical agents (water, saline solutions, acids, bases and oils)

and atmospheric agents. Reference standards: CEI 23-48 and IEC 60 670.

This system is suitable for manufacturing equipment and for places with a higher risk of fire (IEC 64-8 / 7).

### Technical drawing (example)



## URBAN DESIGN LINE

### ICEBERG AND PROXIMA WITH DOOR AND CABLE OUTLET

The supply units **ICEBERG** and **PROXIMA** with door and cable outlet made by New VMR S.r.l. are designed in order to deliver a sober and elegant product, suitable to be installed even in historic and city centres; in fact, the functional design given to the units allows to Socketrve the architectural style of the surrounding environment.

According to the equipment, it's possible to choose between different size combinations, having a standard depth of 270mm:

**IC e PR W200 H860MM**

**IC e PR W200 H1200MM**

**IC e PR W400 H860MM**

**IC e PR W400 H1200MM**

The supply units ICEBERG and PROXIMA are made of AISI304 or AISI316L stainless steel, completed with a door and cable outlet in order to use them when closed. The dimensions of these units is determined according to the equipment that has to be fitted inside.

## GENERAL TECHNICAL DETAILS

### STRUCTURE

Impact resistance IK10

Structure made of AISI304 stainless steel

Structure made of AISI316L stainless steel for waterfronts in sea areas

### CONNECTION SYSTEM

Direct connection to its terminal block

### ELECTRICAL SPECS

Voltage 230V/400V

Frequency from 50hz to 60hz

Standard protection IP44 (IP67 on demand)

Regulation EN 60947-1 and EN 61439

### ADDITIONAL EQUIPMENT

Wall Box for electric car and vehicle charging system

LED lighting diffusor system

Compressed air outlets

Audio / video connectors

RJ-data / video / telephone jacks

Water outlets / valves 1/2" or 3/4"

Energy consumption meters

Water consumption meters

Prepaid system with rechargeable BADGE cards

## ICEBERG with door and cable outlet



### MECHANICAL SPECS

Urban Technology by New VMR S.r.l. supply unit **ICEBERG** of the Urban Design line for the distribution of energy power and services is entirely made of AISI304 stainless steel (AISI316L on demand and if installed in sea areas).

Completed with its door and cable outlet to use the unit even when closed. External fastening system (internal on demand) and IK10 impact resistance.

Painted standard colour micaceous iron grey (or special RAL colour with gloss or mat finish on demand and extra charge).

Dimensions: width and height suggested by New VMR staff or the ones related to a specific equipment.

W200 x h860mm  
W200 x h1200mm  
W400 x h860mm  
W400 x h1200mm

Height available according to the equipment, with standard depth of 270mm.

### ELECTRICAL SPECS

230V/400V tension e frequency between 50/60hz, according to regulation EN 60947-1 and EN 61439. Socket protection is standard grade IP44 (IP67 protection grade for the sockets only on demand; IP67 protection grade may need to change the dimensions of the unit).

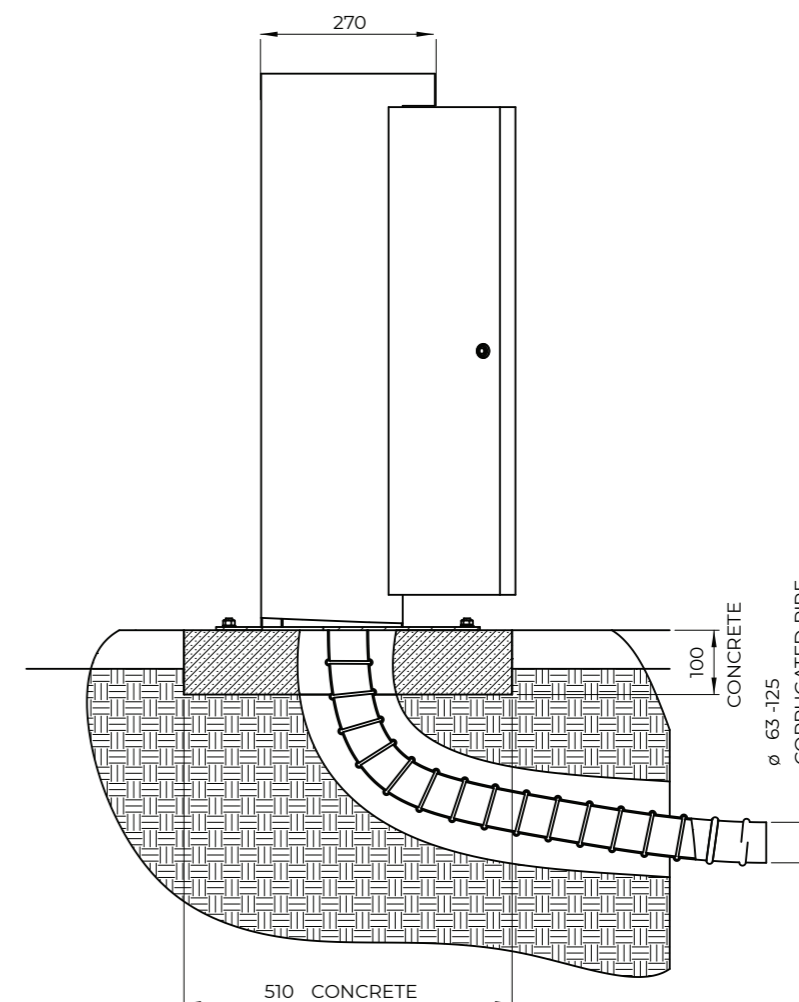
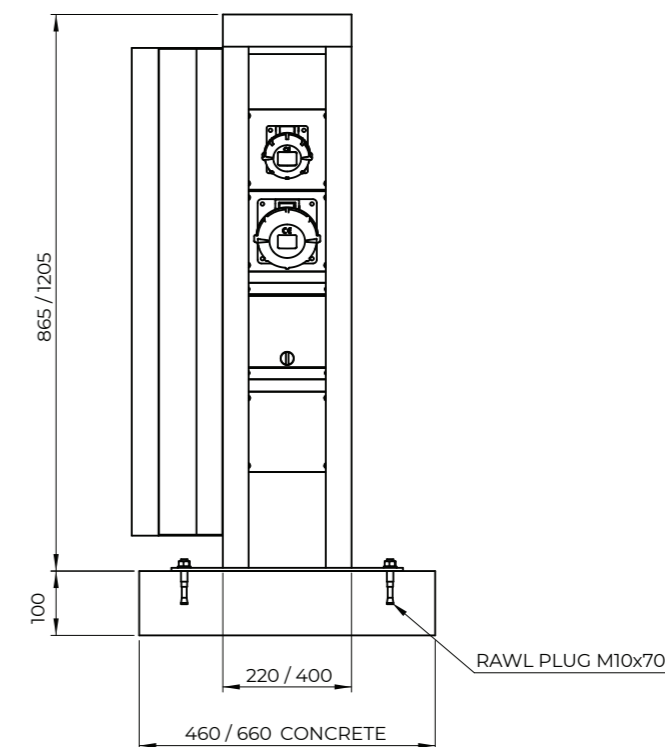
Electrical equipment containment box with IP 66 protection IEC 60 529 and CE70-1 double insulation in thermoplastic material free of halogen self-extinguishing halogen, painted gray RAL 7035 resistant to abnormal heat and fire up to 650 ° (incandescent wire test according to IEC 60 695-2 -1).

Elastomer sealing gaskets for dimensional stability in continuous operation from -20 ° to + 85 °.

Resistance to chemical agents (water, saline solutions, acids, bases and oils) and atmospheric agents. Reference standards: CEI 23-48 and IEC 60 670.

This system is suitable for manufacturing equipment and for places with a higher risk of fire (IEC 64-8 / 7).

### Technical drawing (example)



# PROXIMA with door and cable outlet



## MECHANICAL SPECS

Urban Technology by New VMR S.r.l. supply unit **PROXIMA** of the Urban Design line for the distribution of energy power and services is entirely made of AISI304 stainless steel (AISI316L on demand and if installed in sea areas).

Completed with its door and cable outlet to use the unit even when closed. External fastening system (internal on demand) and IK10 impact resistance.

Painted standard colour micaceous iron grey (or special RAL colour with gloss or mat finish on demand and extra charge).

Dimensions: width and height suggested by New VMR staff or the ones related to a specific equipment.

**W200 x h860mm**  
**W200 x h1200mm**  
**W400 x h860mm**  
**W400 x h1200mm**

Height available according to the equipment, with standard depth of 270mm

## ELECTRICAL SPECS

230V/400V tension e frequency between 50/60hz, according to regulation EN 60947-1 and EN 61439. Socket protection is standard grade IP44 (IP67 protection grade for the sockets only on demand; IP67 protection grade may need to change the dimensions of the unit).

Electrical equipment containment box with IP 66 protection IEC 60 529 and CE70-1 double insulation in thermoplastic material free of halogen self-extinguishing halogen, painted gray RAL 7035 resistant to abnormal heat and fire up to 650 ° (incandescent wire test according to IEC 60 695-2 -1).

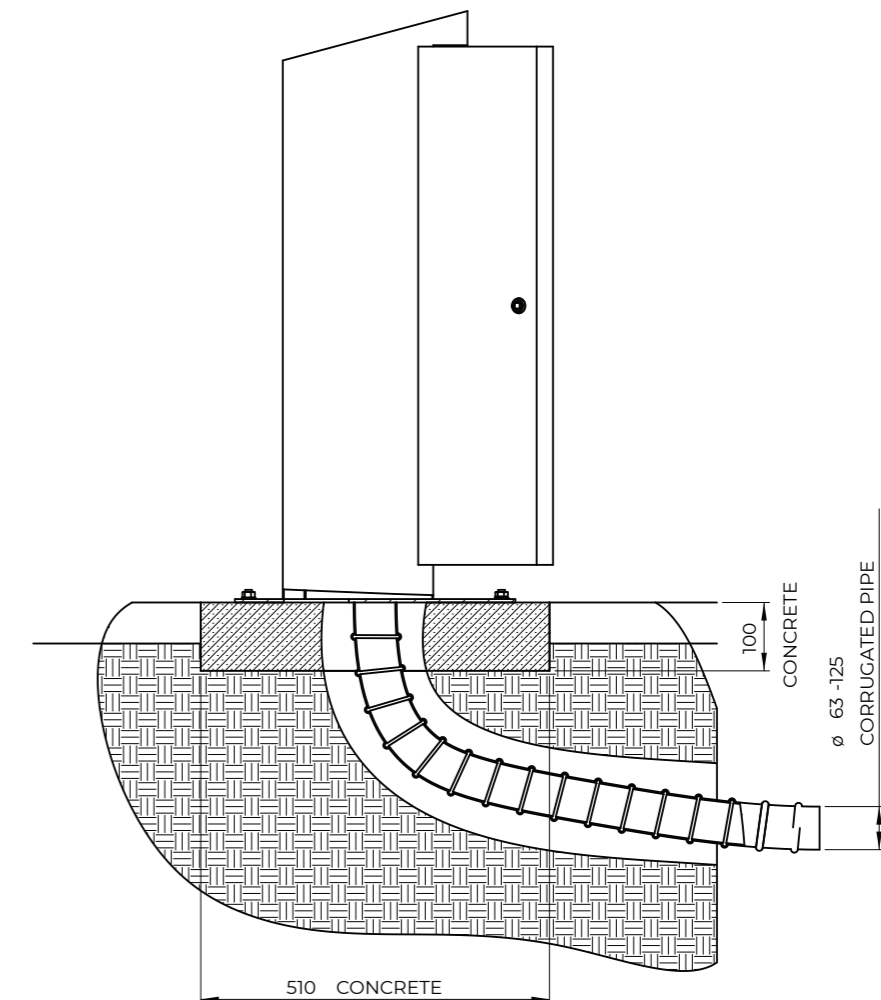
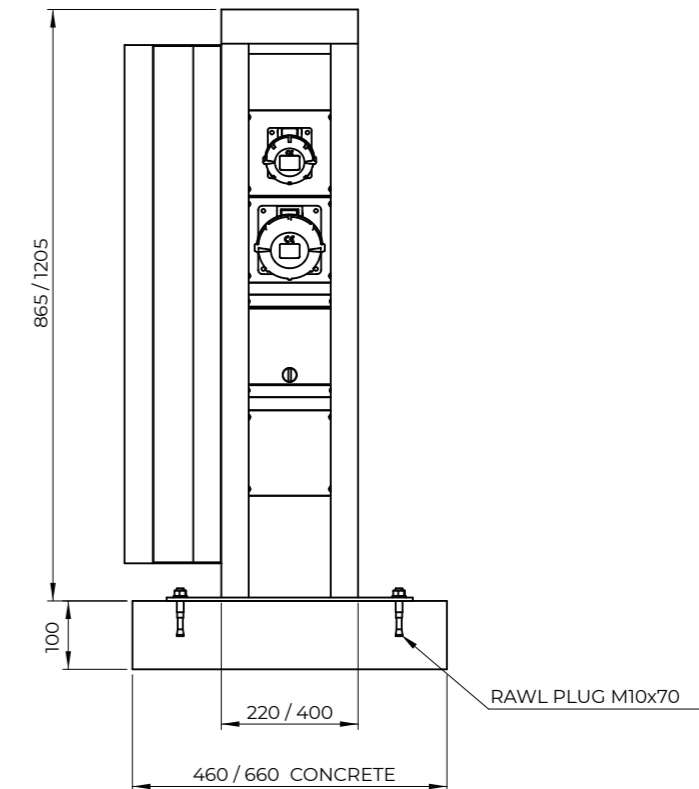
Elastomer sealing gaskets for dimensional stability in continuous operation from -20 ° to + 85 °.

Resistance to chemical agents (water, saline solutions, acids, bases and oils)

and atmospheric agents. Reference standards: CEI 23-48 and IEC 60 670.

This system is suitable for manufacturing equipment and for places with a higher risk of fire (IEC 64-8 / 7).

## Technical drawing (example)



## INDUSTRIAL LINE

New VMR S.r.l. has designed the Industrial line in order to provide workstations with energy power and other services at hand in hangars, workshops, warehouses and industrial centers.

All the supply units are robust and made of stainless steel, fully personalised with marker lights, reflective stripes and colours, to be clearly visible, avoiding unexpected events and accidents, both indoors and outdoors.

It's possible to choose between different options and types of supply units and bollards:

Model **INDUSTRIA**  
which can come with alimentation input even from above

Models **ICEBERG** or **PROXIMA** without door  
available with two different widths, that can be combined with different heights  
(check Camping Line and Line Harbors&Marina for information and technical specs)

The dimensions are determined according to the equipment that have to be mounted.

## GENERAL TECHNICAL DETAILS

### STRUCTURE

Impact resistance IK10

Structure made of AISI304 stainless steel

Structure made of AISI316L stainless steel for waterfronts in sea areas

### CONNECTION SYSTEM

Direct connection to its terminal block

### ELECTRICAL SPECS

Voltage 230V/400V

Frequency from 50hz to 60hz

Standard protection IP44 (IP67 on demand)

Regulation EN 60947-1 and EN 61439

### ADDITIONAL EQUIPMENT

LED lighting diffusor system

Compressed air outlets

Audio / video connectors

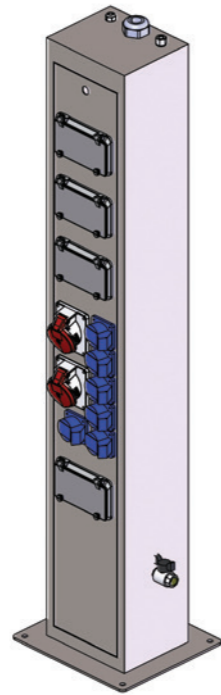
RJ-data / video / telephone jacks

Water outlets / valves 1/2" or 3/4"

Energy consumption meters

Water consumption meters

# INDUSTRIA



## MECHANICAL SPECS

Urban Technology by New VMR S.r.l. supply unit **INDUSTRIA** of the Industrial line for the distribution of energy power and services is entirely made of AISI304 stainless steel (AISI316L on demand and if installed in sea areas).

External fastening system (internal on demand) and IK10 impact resistance. Painted standard colour micaceous iron grey (or special RAL colour with gloss or mat finish on demand and extra charge).

Dimensions 230x190 with height 1255mm or 1450mm.

## ELECTRICAL SPECS

230V/400V tension e frequency between 50/60hz, according to regulation EN 60947-1 and EN 61439. Socket protection is standard grade IP44 (IP67 protection grade for the sockets only on demand; IP67 protection grade may need to change the dimensions of the unit).

Electrical equipment containment box with IP 66 protection IEC 60 529 and CE70-1 double insulation in thermoplastic material free of halogen self-extinguishing halogen, painted gray RAL 7035 resistant to abnormal heat and fire up to 650 ° (incandescent wire test according to IEC 60 695-2 -1).

Elastomer sealing gaskets for dimensional stability in continuous operation from -20 ° to + 85 °.

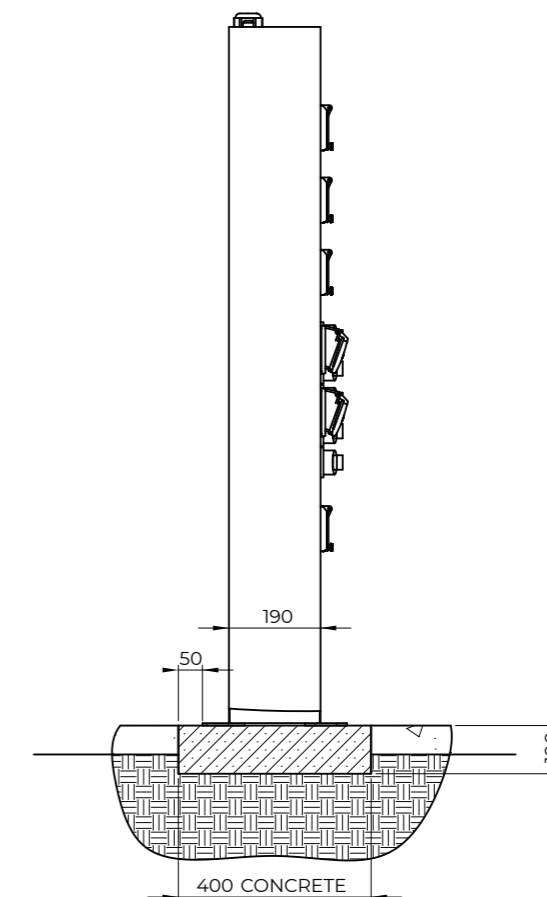
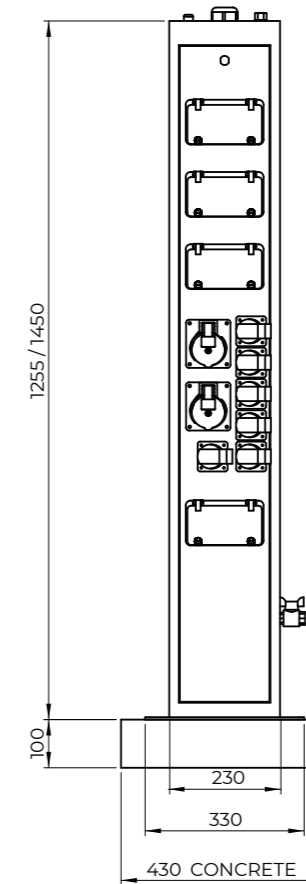
Resistance to chemical agents (water, saline solutions, acids, bases and oils)

and atmospheric agents. Reference standards: CEI 23-48 and IEC 60 670.

This system is suitable for manufacturing equipment and for places with a higher risk of fire (IEC 64-8 / 7).

- AVAILABLE EQUIPMENTS AT PAGE 58 -

## Technical drawing (example)



## HARBORS & MARINA LINE

New VMR S.r.l. meets the needs to create safer and smarter waterfronts, marinas and harbors with its **HARBORS & MARINA** line.

All the supply units are made of AISI304 stainless steel, or AISI316L, suitable to be resistant against saltiness and weather.

New VMR S.r.l. allows to customise its products in order to reflect the spirit and the image of own business with a wide range of colours and styles, giving the option to integrate LED lights, marker lights or reflective stripes and even with prepaid systems with rechargeable BADGE cards.

It's possible to choose between different options and types of supply units and bollards:

### MODEL **HARBOR**

completed with upped hatch to host the switches

### MODEL **PROXIMA** without door

available with two different widths, that can be combined with different heights

### MODEL **MAYA**

that can mount equipment on three sides and available with dimension 350x350x350 or 500x500x500 and with two different heights

## GENERAL TECHNICAL DETAILS

### STRUCTURE

Impact resistance IK10

Structure made of AISI304 stainless steel

Structure made of AISI316L stainless steel for waterfronts in sea areas

### CONNECTION SYSTEM

Direct connection to its terminal block

### ELECTRICAL SPECS

Voltage 230V/400V

Frequency from 50hz to 60hz

Standard protection IP44 (IP67 on demand)

Regulation EN 60947-1 and EN 61439

### ADDITIONAL EQUIPMENT

LED lighting diffusor system

Compressed air outlets

Audio / video connectors

RJ-data / video / telephone jacks

Water outlets / valves 1/2" or 3/4"

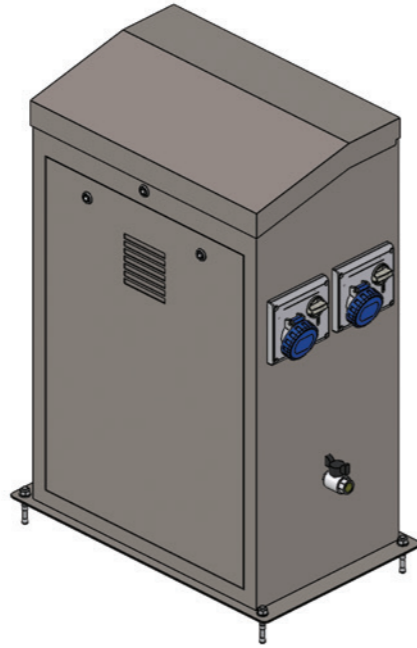
Energy consumption meters

Water consumption meters

Prepaid system with rechargeable BADGE cards



# HARBOR



## MECHANICAL SPECS

Urban Technology by New VMR S.r.l. supply unit **HARBOR** the Harbors & Marina line for the distribution of energy power and services is entirely made of AISI304 stainless steel (AISI316L on demand and if installed in sea areas).

External fastening system and IK10 impact resistance.

Painted standard colour micaceous iron grey (or special RAL colour with gloss or mat finish on demand and extra charge).

Dimensions **L550 x h860mm**

or dimensions suggested by New VMR staff to a specific equipment (tailor-made dimension on demand).

## ELECTRICAL SPECS

230V/400V tension e frequency between 50/60hz, according to regulation EN 60947-1 and EN 61439. Socket protection is standard grade IP44 (IP67 protection grade for the sockets only on demand; IP67 protection grade may need to change the dimensions of the unit).

Electrical equipment containment box with IP 66 protection IEC 60 529 and CE70-1 double insulation in thermoplastic material free of halogen self-extinguishing halogen, painted gray RAL 7035 resistant to abnormal heat and fire up to 650 ° (incandescent wire test according to IEC 60 695-2 -1).

Elastomer sealing gaskets for dimensional stability in continuous operation from -20 ° to + 85 °.

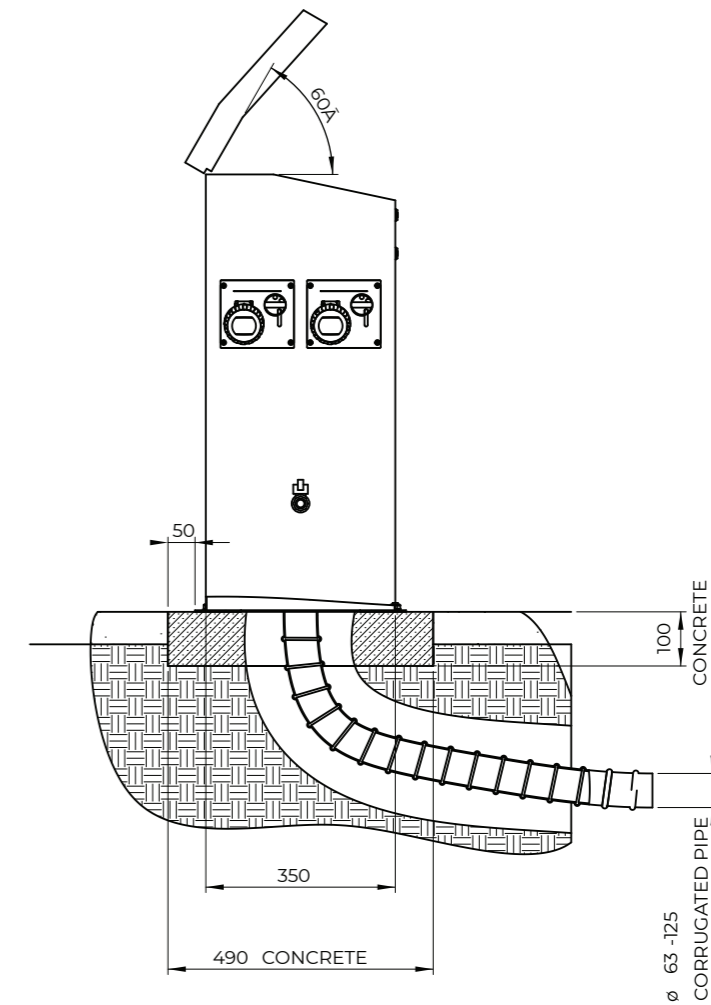
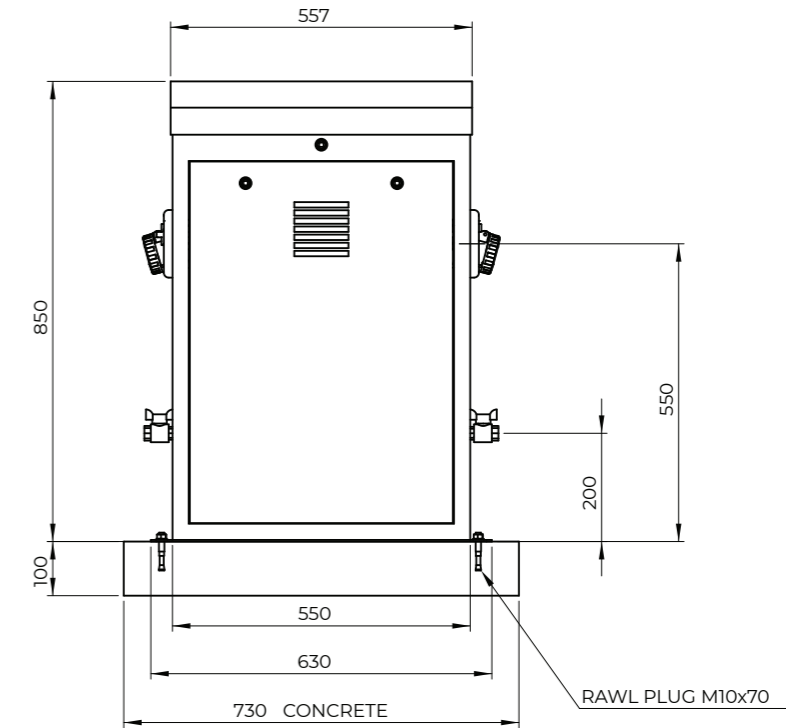
Resistance to chemical agents (water, saline solutions, acids, bases and oils)

and atmospheric agents. Reference standards: CEI 23-48 and IEC 60 670.

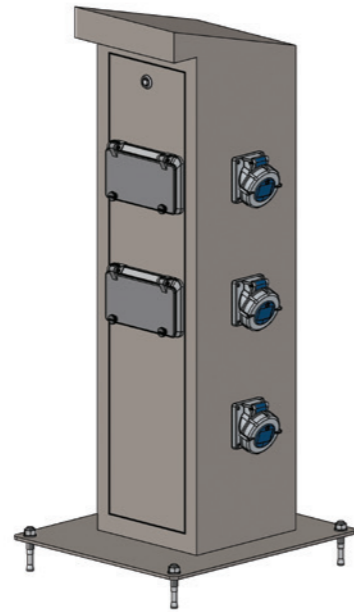
This system is suitable for manufacturing equipment and for places with a higher risk of fire (IEC 64-8 / 7).

- AVAILABLE EQUIPMENTS AT PAGE 59 -

## Technical drawing (example)



# PROXIMA without door and cable outlet



## MECHANICAL SPECS

Urban Technology by New VMR S.r.l. supply unit **PROXIMA** of the Harbors & Marina line for the distribution of energy power and services is entirely made of AISI304 stainless steel (AISI316L on demand and if installed in sea areas).

External fastening system (internal on demand) and IK10 impact resistance.  
Painted standard colour micaceous iron grey (or special RAL colour with gloss or mat finish on demand and extra charge).

Dimensions: width and height suggested by New VMR staff or the ones related to a specific equipment.

**W200 x h860mm**  
**W200 x h1200mm**  
**W400 x h860mm**  
**W400 x h1200mm**

Height available according to the equipment, with standard depth of 270mm.

Available also version **ICEBERG** without door model

## ELECTRICAL SPECS

230V/400V tension e frequency between 50/60hz, according to regulation EN 60947-1 and EN 61439. Socket protection is standard grade IP44 (IP67 protection grade for the sockets only on demand; IP67 protection grade may need to change the dimensions of the unit).

Electrical equipment containment box with IP 66 protection IEC 60 529 and CE70-1 double insulation in thermoplastic material free of halogen self-extinguishing halogen, painted gray RAL 7035 resistant to abnormal heat and fire up to 650 ° (incandescent wire test according to IEC 60 695-2 -1).

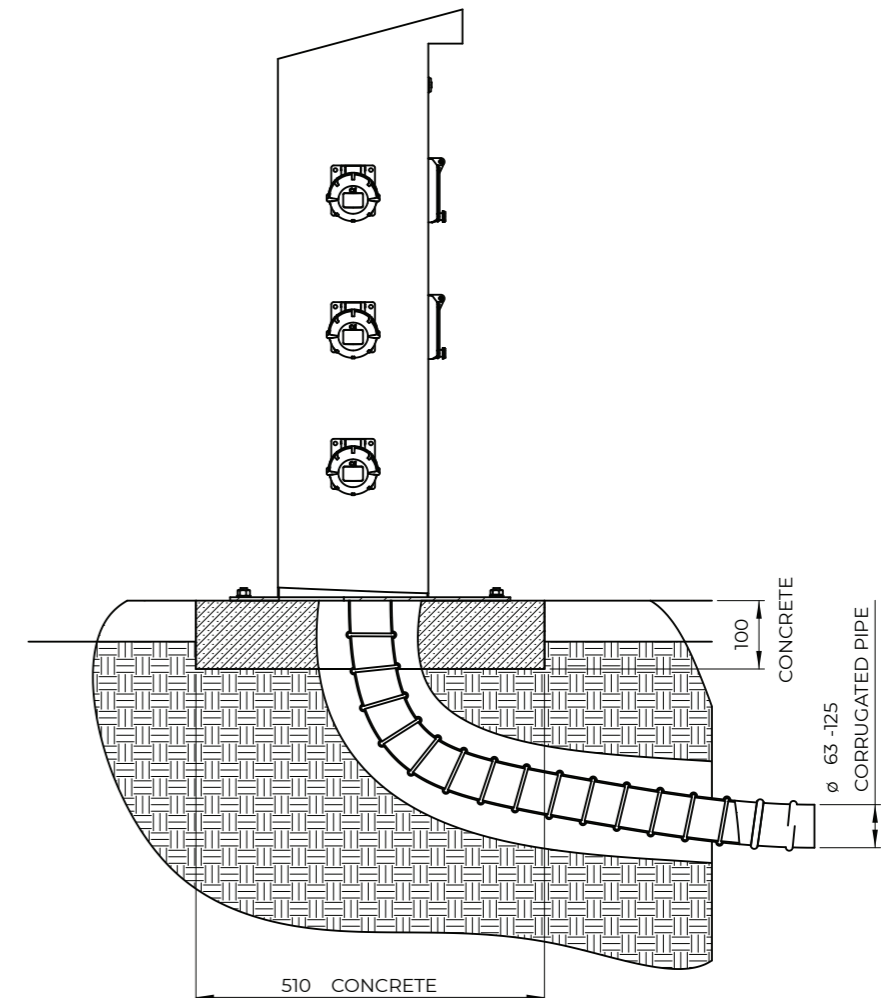
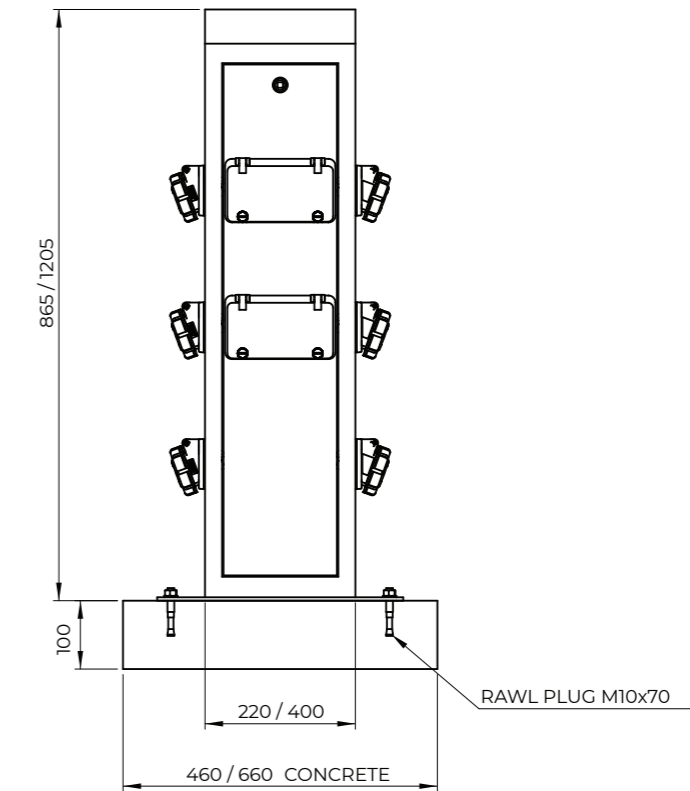
Elastomer sealing gaskets for dimensional stability in continuous operation from -20 ° to + 85 °.

Resistance to chemical agents (water, saline solutions, acids, bases and oils)

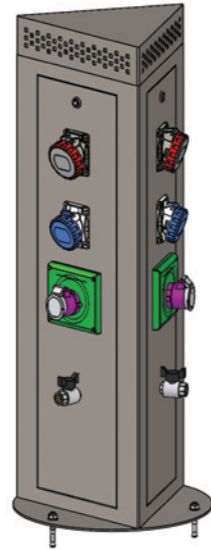
and atmospheric agents. Reference standards: CEI 23-48 and IEC 60 670.

This system is suitable for manufacturing equipment and for places with a higher risk of fire (IEC 64-8 / 7).

## Technical drawing (example)



# MAYA



36

## MECHANICAL SPECS

Urban Technology by New VMR S.r.l. supply unit **MAYA** of the Harbors & Marina line for the distribution of energy power and services is entirely made of AISI304 stainless steel (AISI316L on demand and if installed in sea areas). External fastening system and IK10 impact resistance. Painted standard colour micaceous iron grey (or special RAL colour with gloss or mat finish on demand and extra charge).

Dimensions: width and height suggested by New VMR staff or the ones related to a specific equipment.

**350x350x350 x h1000mm**  
**350x350x350 x h1200mm**  
**500x500x500 x h1000mm**  
**500x500x500 x h1200mm**

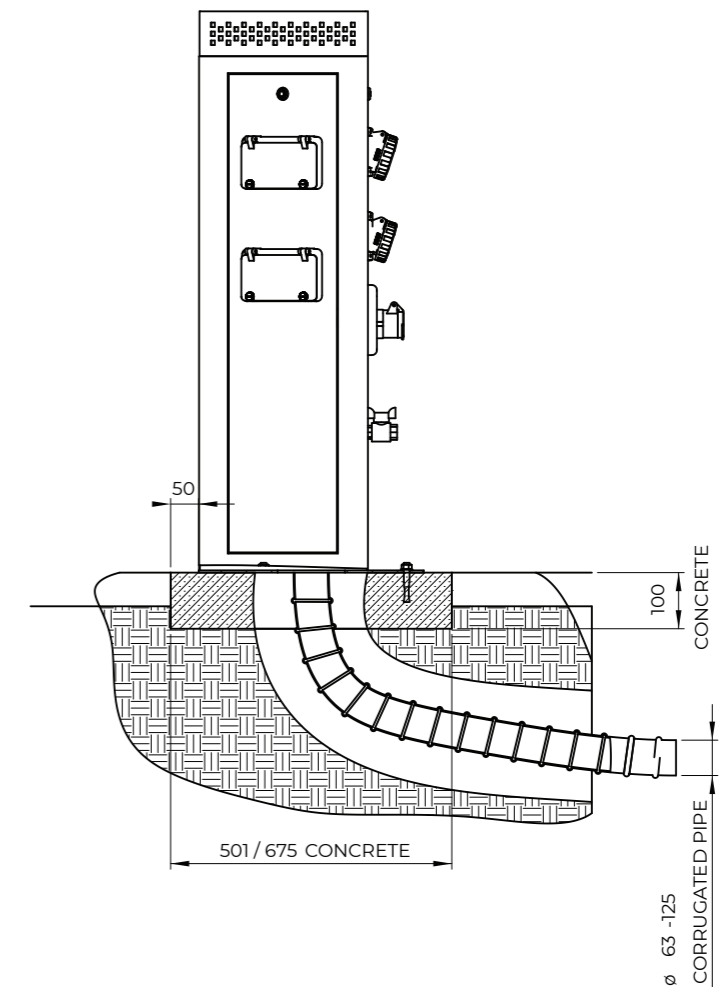
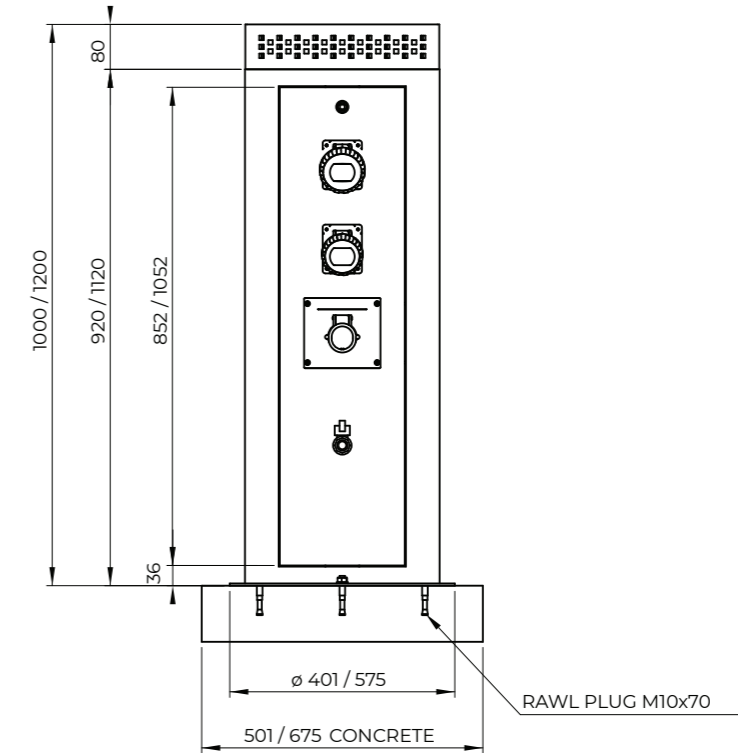
Height available according to the equipment

## ELECTRICAL SPECS

230V/400V tension e frequency between 50/60hz, according to regulation EN 60947-1 and EN 61439. Socket protection is standard grade IP44 (IP67 protection grade for the sockets only on demand; IP67 protection grade may need to change the dimensions of the unit). Electrical equipment containment box with IP 66 protection IEC 60 529 and CE70-1 double insulation in thermoplastic material free of halogen self-extinguishing halogen, painted gray RAL 7035 resistant to abnormal heat and fire up to 650 ° (incandescent wire test according to IEC 60 695-2 -1). Elastomer sealing gaskets for dimensional stability in continuous operation from -20 ° to + 85 °. Resistance to chemical agents (water, saline solutions, acids, bases and oils) and atmospheric agents. Reference standards: CEI 23-48 and IEC 60 670. This system is suitable for manufacturing equipment and for places with a higher risk of fire (IEC 64-8 / 7).

- AVAILABLE EQUIPMENTS AT PAGE 58 -

## Technical drawing (example)



37

## CAMPING LINE

The **CAMPING** line by New VMR S.r.l. offers a range of robust fixed supply unit made of AISI304 stainless steel, or AISI316L on demand, designed for campsites and camping areas in order to offer to the clients safe and smart pitches with energy power and water at hand.

New VMR S.r.l. allows to customise its products in order to reflect the spirit and the image of own business with a wide range of colours and styles, giving the option to integrate LED lights and even with prepaid systems with rechargeable BADGE cards.

It's possible to choose between different options and types of supply units and bollards:

### MODEL ICEBERG WITHOUT DOOR

available with two different widths, that can be combined with different heights

### MODEL PRATIKA

available with two different heights and small door to host the switches

### MODEL SIMPLY

lable with one side or two sides in order to serve up to four pitches

Moreover, the line comes with exhaust systems too, always made of stainless steel.

It is possible to get just the waste water disposal well or combined it with Totem Acqua, a water supply unit that allows to dispose waste waters of cassettes and to activate nebulizers located on the perimeter of the waste water disposal well and get it clean smoothly.

## GENERAL TECHNICAL DETAILS

### STRUCTURE

Impact resistance IK10

Structure made of AISI304 stainless steel

Structure made of AISI316L stainless steel for waterfronts in sea areas

### CONNECTION SYSTEM

Direct connection to its terminal block

### ELECTRICAL SPECS

Voltage 230V/400V

Frequency from 50hz to 60hz

Standard protection IP44 (IP67 on demand)

Regulation EN 60947-1 and EN 61439

### ADDITIONAL EQUIPMENT

LED lighting diffusor system

Compressed air outlets

Audio / video connectors

RJ-data / video / telephone jacks

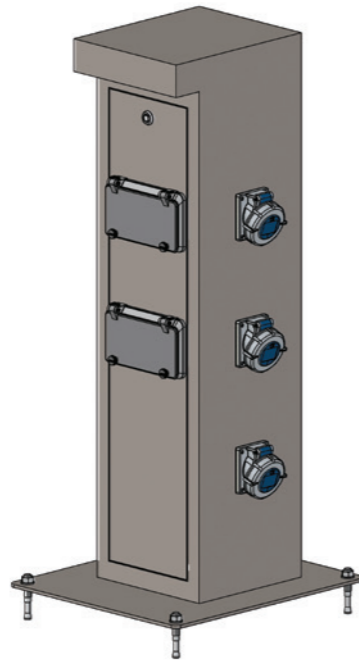
Water outlets / valves 1/2" or 3/4"

Energy consumption meters

Water consumption meters

Prepaid system with rechargeable BADGE cards

# ICEBERG without door



## MECHANICAL SPECS

Urban Technology by New VMR S.r.l. supply unit **ICEBERG** of the Camping line for the distribution of energy power and services is entirely made of AISI304 stainless steel (AISI316L on demand and if installed in sea areas).  
External fastening system (internal on demand) and IK10 impact resistance.  
Painted standard colour micaceous iron grey (or special RAL colour with gloss or mat finish on demand and extra charge).

Dimensions: width and height suggested by New VMR staff or the ones related to a specific equipment.

**W200 x h860mm**  
**W200 x h1200mm**  
**W400 x h860mm**  
**W400 x h1200mm**

Height available according to the equipment, with standard depth of 270mm

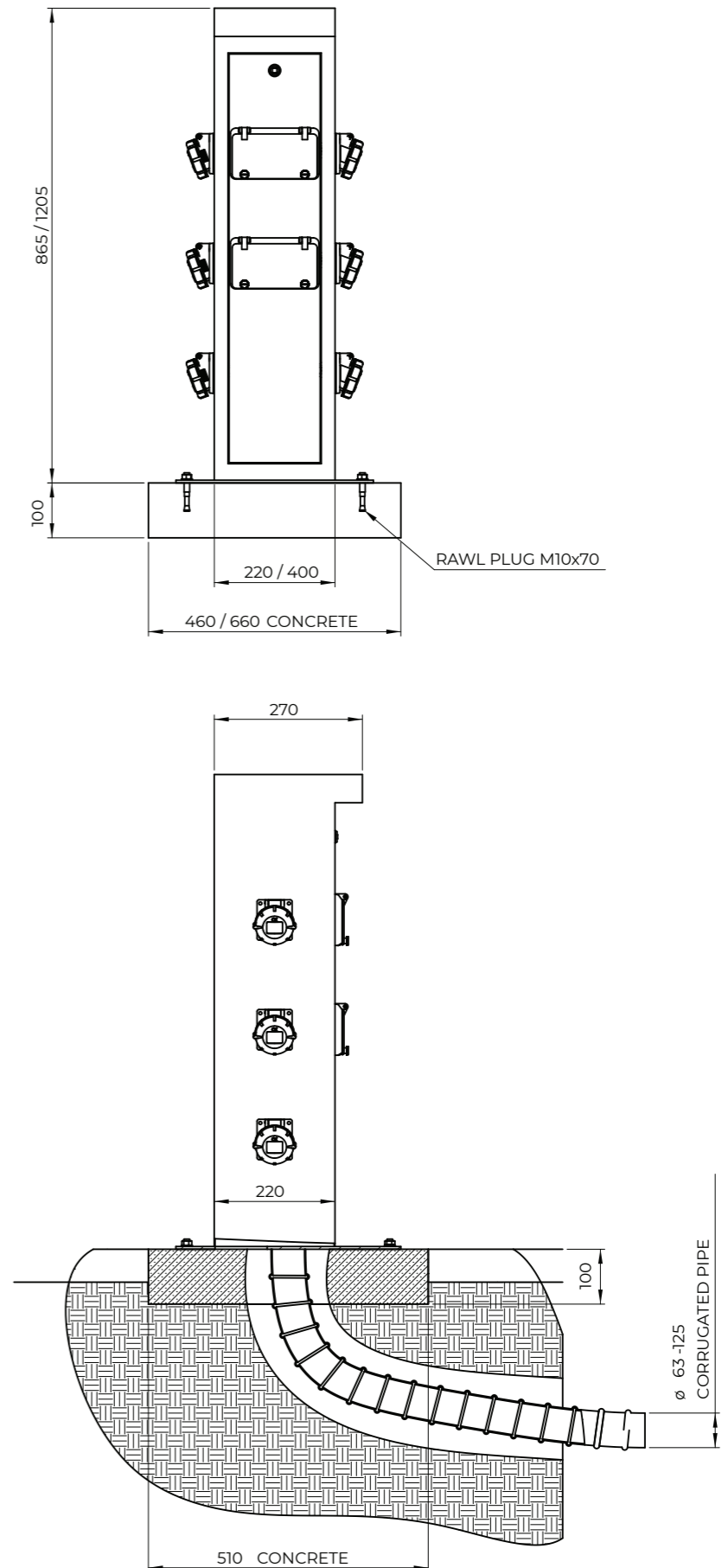
Available also version PROXIMA without door model

## ELECTRICAL SPECS

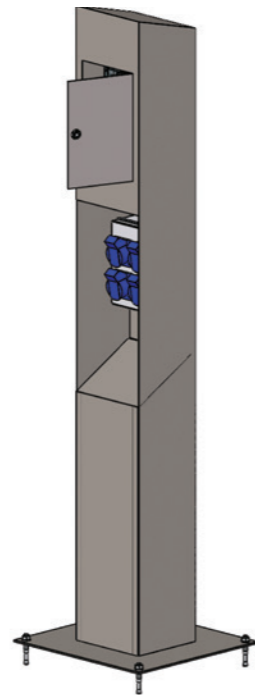
230V/400V tension e frequency between 50/60hz, according to regulation EN 60947-1 and EN 61439. Socket protection is standard grade IP44 (IP67 protection grade for the sockets only on demand; IP67 protection grade may need to change the dimensions of the unit).  
Electrical equipment containment box with IP 66 protection IEC 60 529 and CE70-1 double insulation in thermoplastic material free of halogen self-extinguishing halogen, painted gray RAL 7035 resistant to abnormal heat and fire up to 650 ° (incandescent wire test according to IEC 60 695-2 -1).  
Elastomer sealing gaskets for dimensional stability in continuous operation from -20 ° to + 85 °.  
Resistance to chemical agents (water, saline solutions, acids, bases and oils) and atmospheric agents. Reference standards: CEI 23-48 and IEC 60 670.  
This system is suitable for manufacturing equipment and for places with a higher risk of fire (IEC 64-8 / 7).

- AVAILABLE EQUIPMENTS AT PAGE 56 AND 57 -

## Technical drawing (example)



# PRATIKA



## MECHANICAL SPECS

Urban Technology by New VMR S.r.l. supply unit **PRATIKA** of the Camping line for the distribution of energy power and services is entirely made of AISI304 stainless steel (AISI316L on demand and if installed in sea areas).

External fastening system (internal on demand) and IK10 impact resistance.

Painted standard colour micaceous iron grey (or special RAL colour with gloss or mat finish on demand and extra charge).

Dimensions: width and height suggested by New VMR staff or the ones related to a specific equipment.

**W250 x h1200mm**  
**W250 x h1500mm**

Height available according to the equipment, with standard depth of 180mm.

## ELECTRICAL SPECS

230V/400V tension e frequency between 50/60hz, according to regulation EN 60947-1 and EN 61439. Socket protection is standard grade IP44 (IP67 protection grade for the sockets only on demand; IP67 protection grade may need to change the dimensions of the unit).

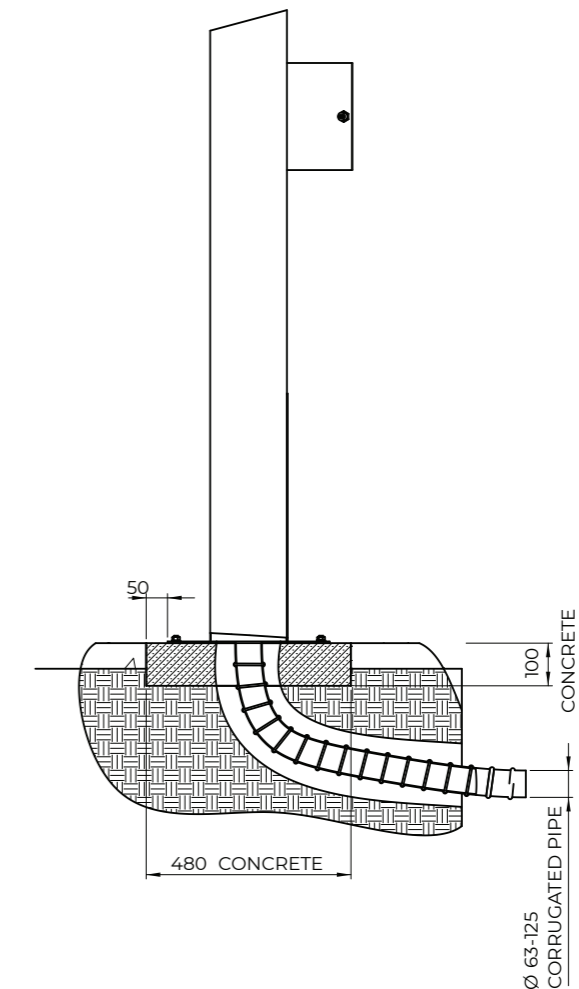
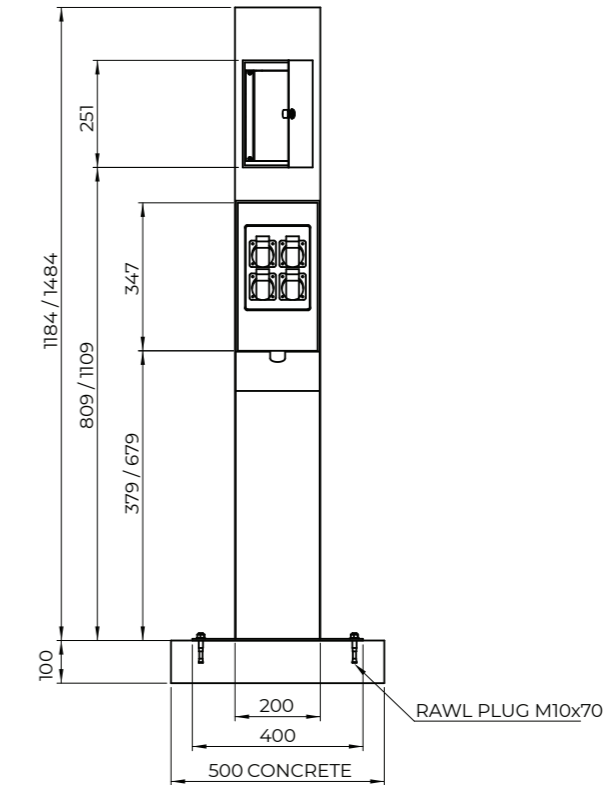
Electrical equipment containment box with IP 66 protection IEC 60 529 and CE70-1 double insulation in thermoplastic material free of halogen self-extinguishing halogen, painted gray RAL 7035 resistant to abnormal heat and fire up to 650 ° (incandescent wire test according to IEC 60 695-2 -1).

Elastomer sealing gaskets for dimensional stability in continuous operation from -20 ° to + 85 °.

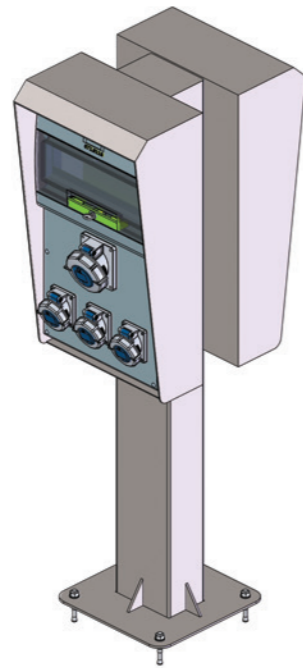
Resistance to chemical agents (water, saline solutions, acids, bases and oils) and atmospheric agents. Reference standards: CEI 23-48 and IEC 60 670.

This system is suitable for manufacturing equipment and for places with a higher risk of fire (IEC 64-8 / 7).

## Technical drawing (example)



# SIMPLY



## MECHANICAL SPECS

Urban Technology by New VMR S.r.l. supply unit **SIMPLY** of the Camping line for the distribution of energy power and services is entirely made of AISI304 stainless steel (AISI316L on demand and if installed in sea areas). External fastening system.

Version MONO or BI according to a specific equipment.

Painted standard colour micaceous iron grey (or special RAL colour with gloss or mat finish on demand and extra charge).

Available models:

### **SIMPLY MONO**

h only one side available to mount the equipment

### **SIMPLY BI**

with two sides available to mount the equipment

## ELECTRICAL SPECS

230V/400V tension e frequency between 50/60hz, according to regulation EN 60947-1 and EN 61439. Socket protection is standard grade IP44 (IP67 protection grade for the sockets only on demand; IP67 protection grade may need to change the dimensions of the unit).

Electrical equipment containment box with IP 66 protection IEC 60 529 and CE70-1 double insulation in thermoplastic material free of halogen self-extinguishing halogen, painted gray RAL 7035 resistant to abnormal heat and fire up to 650 ° (incandescent wire test according to IEC 60 695-2 -1).

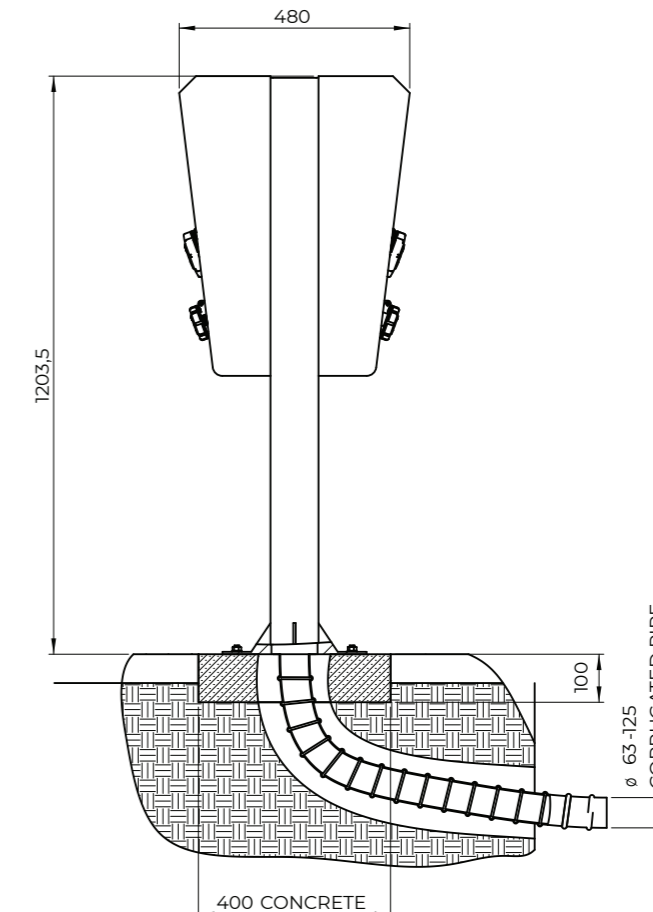
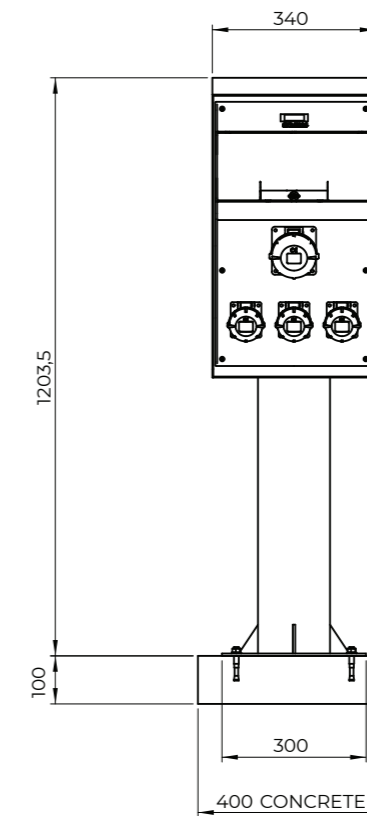
Elastomer sealing gaskets for dimensional stability in continuous operation from -20 ° to + 85 °.

Resistance to chemical agents (water, saline solutions, acids, bases and oils) and atmospheric agents. Reference standards: CEI 23-48 and IEC 60 670.

This system is suitable for manufacturing equipment and for places with a higher risk of fire (IEC 64-8 / 7).

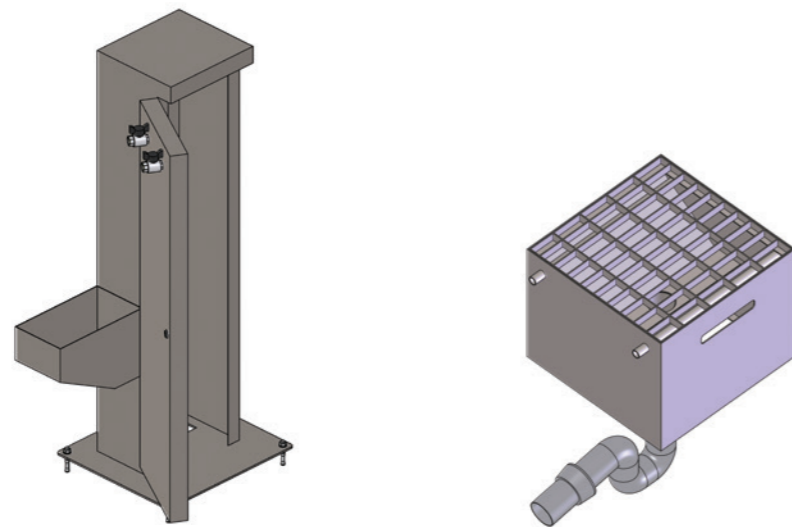
- AVAILABLE EQUIPMENTS AT PAGE 61 -

## Technical drawing (example)



# WASTEWATER DISCHARGE SYSTEMS

The Camping Line by New VMR S.r.l. is completed with its wastewater discharge system: the kit **TOTEM ACQUA** with self-cleaning well.



## TOTEM ACQUA

a unit for water supply, that comes with or without a compartment to empty the tanks. Equipped with water outlets to supply water or to be used to clean the wastewater discharge point in the camping area

### TECHNICAL SPECS

Unit TOTEM ACQUA from the Camping Line by New VMR S.r.l. entirely made of AISI304, or AISI316L on demand, stainless steel. Completed with door and lock to ease the water connection. Painted standard colour micaceous iron grey (or special RAL colour with gloss or mat finish on demand and extra charge). Equipped with 02 water outlets 1/2" and available with or without compartment to empty the tanks (in the combined version "kit TOTEM ACQUA and self-cleaning well", one of the water outlets will be used exclusively to activate the nebulizing nozzles of the well)

Standard dimension: L300 x H1200 and depth 270mm

## SELF-CLEANING WELL

a stainless steel well completed with nebulizing nozzles to clean its surface from dirt

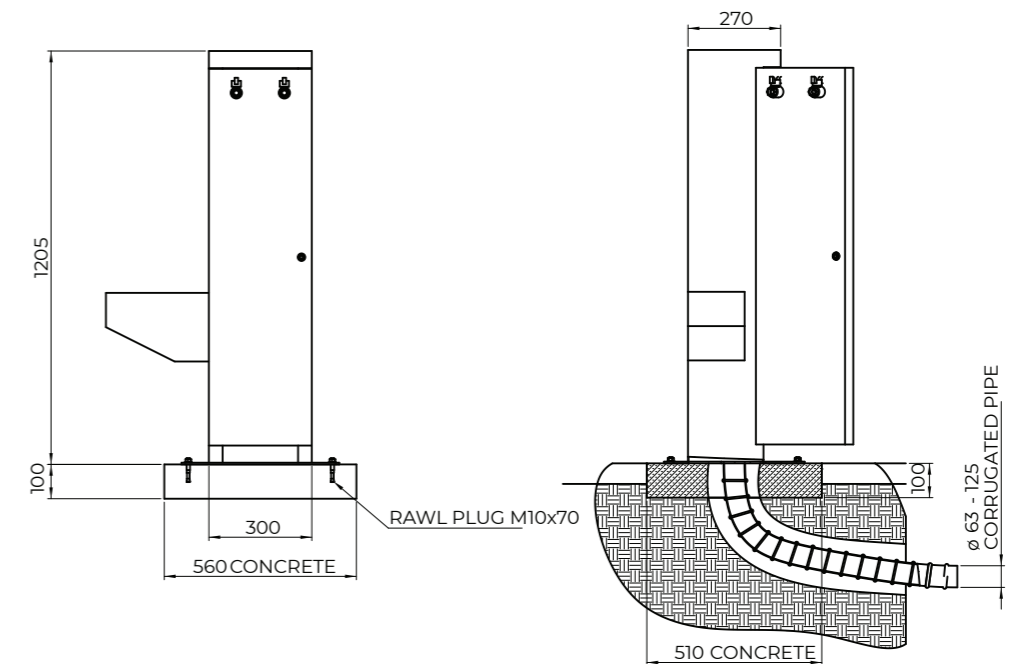
### TECHNICAL SPECS

Unit SELF-CLEANING WELL for the wastewater discharge from the Camping Line by New VMR S.r.l. entirely made of AISI304 stainless steel. Central drainage pipe with a depth of 20cm, completed with steel sleeves 3/4" for water connection. Connection pipe to sewer drainage with diameter 80mm; frame equipped with a self-cleaning washing system composed by washing nozzles, to be connected to a fountain or directly to the TOTEM ACQUA unit by New VMR S.r.l..

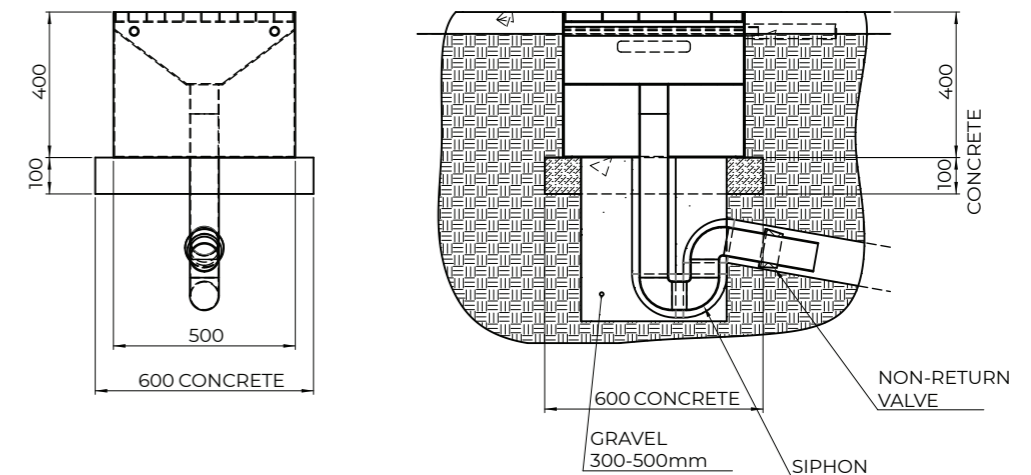
Standard height 400mm, thickness 3mm and dimensions:

- 500x500mm
- 600x600mm
- 900x900mm

## Technical drawing (example)



TOTEM ACQUA



SELF-CLEANING WELL



## RECHARGE STATION FOR ELECTRIC VEHICLES

### BOLLARDS

#### TO STORE WALL BOX FOR CHARGING ELECTRIC VEHICLES

New VMR S.r.l. provides a safer way to store wall boxes for recharge electric cars with its Urban Design line bollards: the structure made of stainless steel and the IK10-rated for protection against impact and vandal acts.

Models available to be used with the door close are the following:

#### ROUND MODELS

with diameter 325 and height 1200 or 1350mm

#### ROUND MODELS

with diameter 500 and height 1250 or 1350mm

#### MODEL ICEBERG

with dimension L400xH1200mm

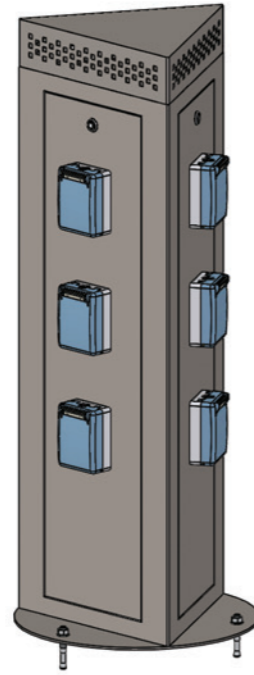
#### MODEL PROXIMA

with dimension L400xH1200mm

Dimensions must be confirmed by New VMR S.r.l. staff due to the size of the wall box to be stored within the unit



# MAYA E-BIKE



## MECHANICAL SPECS

Urban Technology by New VMR S.r.l. supply unit **MAYA E-BIKE** is entirely made of AISI304 stainless steel (AISI316L on demand and if installed in sea areas). External fastening system and IK10 impact resistance. Painted standard colour micaceous iron grey (or special RAL colour with gloss or mat finish on demand and extra charge).

Standard dimensions 350x350x350 and height 1000mm and equipped with 06 sockets for charging electric bikes.

## ELECTRICAL SPECS

230V/400V tension e frequency between 50/60hz, according to regulation EN 60947-1 and EN 61439. Socket protection is standard grade IP44.

Electrical equipment containment box with IP 66 protection IEC 60 529 and CE70-1 double insulation in thermoplastic material free of halogen self-extinguishing halogen, painted gray RAL 7035 resistant to abnormal heat and fire up to 650 ° (incandescent wire test according to IEC 60 695-2 -1).

Elastomer sealing gaskets for dimensional stability in continuous operation from -20 ° to + 85 °.

Resistance to chemical agents (water, saline solutions, acids, bases and oils) and atmospheric agents.

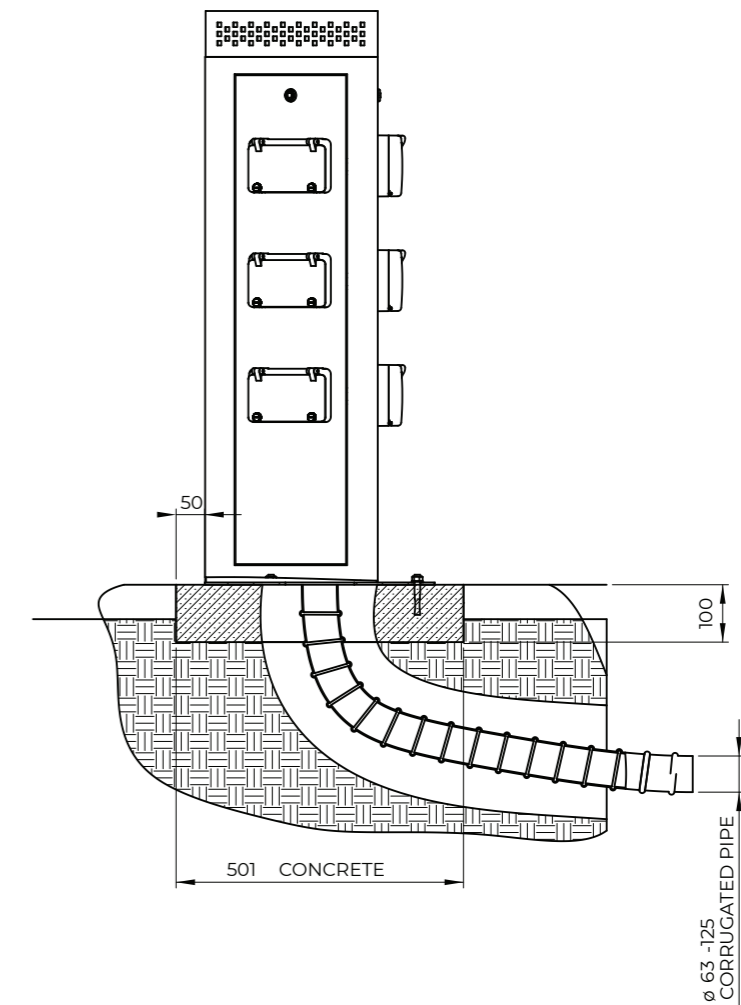
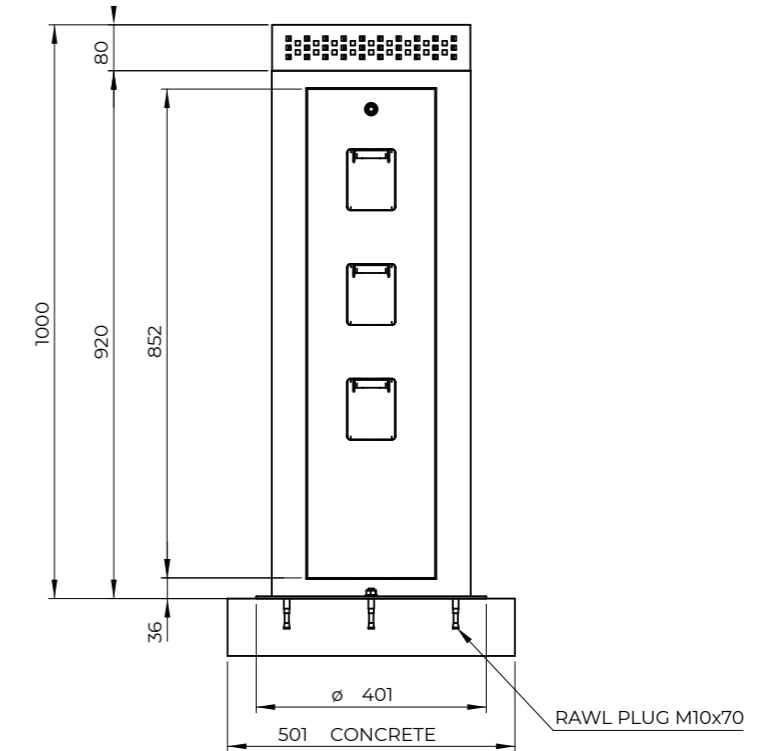
Reference standards: CEI 23-48 and IEC 60 670.

This system is suitable for manufacturing equipment and for places with a higher risk of fire (IEC 64-8 / 7).

Sockets branded SCAME, code 570.6405, DOMOPLUS series type P40 flush mounting in IP66 thermoplastic material with IK08.

Rated current 16A and rated voltage 250V. IEC 60884-1 (2002) and DIRECTIVE RoHS 2011/65/EU.

## Technical drawing (example)

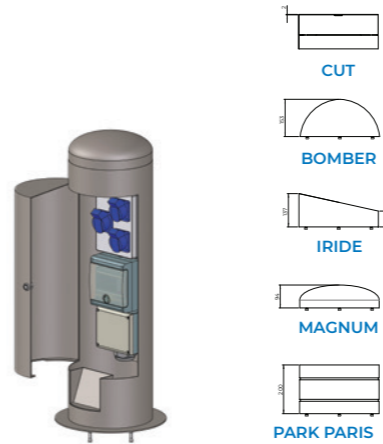


# EQUIPMENT

## EXAMPLES OF ELECTRICAL CONFIGURATIONS

EQUIPMENTS  
IN THERMOPLASTIC CABINET  
OR BUTYL RUBBER ON DEMAND

### EQUIPMENTS D250mm H860



**SUITABLE FOR**  
market areas, squares, showrooms,  
parks or hotels

<b>D250 H860 - A *</b>
04 SCHUKO sockets
04 RCBOs 1P+N 16A 0,03 6KA

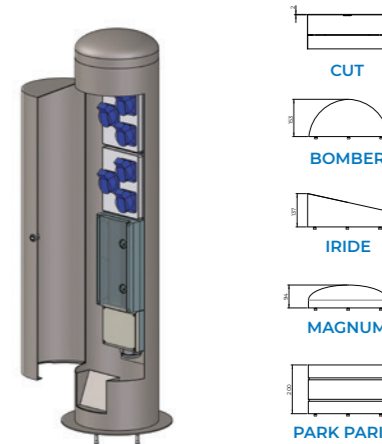
<b>D250 H860 - B *</b>
04 2P+E 16A CEE sockets
04 RCBOs 1P+N 16A 0,03 6KA

<b>D250 H860 - C *</b>
02 SCHUKO sockets
02 RCBOs 1P+N 16A 0,03 6KA
01 3P+N+E 16A inclined socket
01 RCBO 4x16A 0,03 6ka

**OPTIONAL ACCESSORIES**

- \* 01 ball valve 1/2" per water or compressed air
- 01 or 02 RJ45 cat.06 data sockets
- 01 LED lighting kit
- 01 heating kit

### EQUIPMENTS D250mm H1200



**SUITABLE FOR**  
market areas, squares, showrooms,  
parks or hotels

<b>D250 H1200 - A *</b>
06 SCHUKO sockets
06 RCBOs 1P+N 16A 0,03 6KA

<b>D250 H1200 - B *</b>
06 2P+E 16A CEE sockets
06 RCBOs 1P+N 16A 0,03 6KA

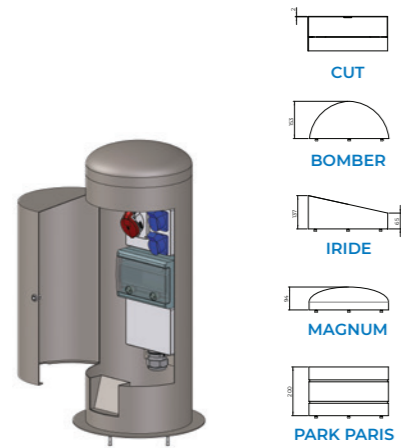
<b>D250 H1200 - C *</b>
04 SCHUKO sockets
04 RCBOs 1P+N 16A 0,03 6KA
01 3P+N+E 16A inclined socket
01 RCBO 4x16A 0,03 6ka

**OPTIONAL ACCESSORIES**

- \* 1 or 02 ball valves 1/2" for water or compressed air
- 01 or 02 RJ45 cat.06 data sockets
- 01 LED lighting kit
- 01 heating kit

WITHOUT EQUIPMENT- ONLY STAINLESS STEEL PLATE TO MOUNT THE EQUIPMENT

EQUIPMENTS  
**D325mm  
H860**



**SUITABLE FOR**

market areas, squares, showrooms,  
parks or hotels

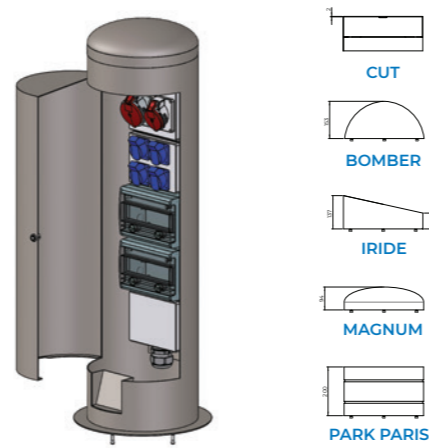
<b>D325 H860 - A *</b>
06 SCHUKO sockets
06 RCBOs 1P+N 16A 0,03 6KA
<b>D325 H860 - B *</b>
03 SCHUKO sockets
03 RCBOs 1P+N 16A 0,03 6KA
01 3P+N+E 16A CEE socket
01 RCBO 4x16A 0,03 6ka
<b>D325 H860 - C *</b>
04 2P+E 16A CEE sockets
04 RCBOs 1P+N 16A 0,03 6KA
<b>D325 H860 - D *</b>
02 3P+N+E 16A CEE sockets
02 RCBOs 4x16A 0,03 6ka
<b>D325 H860 - E *</b>
02 3P+N+E 32A CEE sockets
02 RCBOs 4x32A 0,03 6ka
<b>D325 H860 - F *</b>
01 3P+N+E 63A fly socket
01 RCBO 4x63A 0,03 6ka
<b>D325 H860 - G *</b>
02 2P+E 16A CEE sockets
02 RCBOs 1P+N 16A 0,03 6KA
01 3P+N+E 16A CEE socket
01 RCBO 4x16A 0,03 6KA
<b>D325 H860 - H *</b>
02 2P+E 16A CEE sockets
02 RCBOs 1P+N 16A 0,03 6KA
01 3P+N+E 32A CEE socket
01 RCBO 4x32A 0,03 6KA

**OPTIONAL ACCESSORIES**

- \* 01 or 02 ball valves 1/2" for water or compressed air
- 01 or 02 RJ45 cat.06 data sockets
- 01 LED lighting kit
- 01 heating kit

WITHOUT EQUIPMENT- ONLY STAINLESS STEEL PLATE TO MOUNT THE EQUIPMENT

EQUIPMENTS  
**D325mm  
H1200**



**SUITABLE FOR**

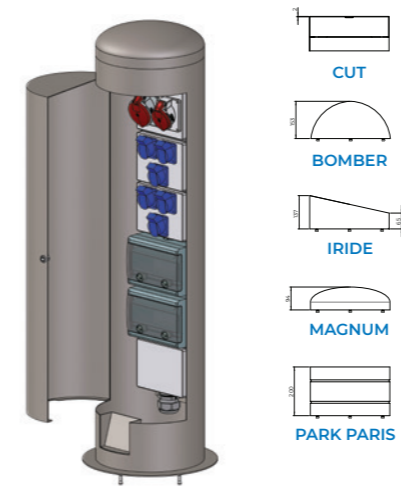
market areas, squares, showrooms,  
parks or hotels

<b>D325 H1200 - A *</b>
04 SCHUKO sockets
04 RCBOs 1P+N 16A 0,03 6KA
01 3P+N+E 16A CEE socket
01 RCBO 4x16A 0,03 6ka
01 3P+N+E 32A CEE socket
01 RCBO 4x32A 0,03 6ka
<b>D325 H1200 - B *</b>
04 2P+E 16A CEE sockets
04 RCBOs 1P+N 16A 0,03 6KA
01 3P+N+E 16A CEE socket
01 RCBO 4x16A 0,03 6ka
01 3P+N+E 32A CEE socket
01 RCBO 4x32A 0,03 6ka
<b>D325 H1200 - C *</b>
02 2P+E 16A CEE sockets
02 RCBOs 1P+N 16A 0,03 6KA
02 3P+N+E 32A CEE socket
02 RCBO 4x32A 0,03 6ka
<b>D325 H1200 - C *</b>
08 2P+E 16A CEE sockets
08 RCBOs 1P+N 16A 0,03 6KA

**OPTIONAL ACCESSORIES**

- \* 01 or 02 ball valves 1/2" for water or compressed air
- 01 or 02 RJ45 cat.06 data sockets
- 01 LED lighting kit
- 01 heating kit

EQUIPMENTS  
**D325mm  
H1350**



**SUITABLE FOR**

market areas, squares, showrooms,  
parks or hotels

<b>D325 H1350 - A */**</b>
06 SCHUKO sockets
06 RCBOs 1P+N 16A 0,03 6KA
01 3P+N+E 16A CEE socket
01 RCBO 4x16A 0,03 6ka
01 3P+N+E 32A CEE socket
01 RCBO 4x32A 0,03 6ka
<b>D325 H1350 - B */**</b>
06 2P+E 16A CEE sockets
06 RCBOs 1P+N 16A 0,03 6KA
01 3P+N+E 16A CEE socket
01 RCBO 4x16A 0,03 6ka
01 3P+N+E 32A CEE socket
01 RCBO 4x32A 0,03 6ka
<b>D325 H1350 - C */**</b>
04 2P+E 16A CEE sockets
04 RCBOs 1P+N 16A 0,03 6KA
02 3P+N+E 32A CEE socket
02 RCBO 4x32A 0,03 6ka
<b>D325 H1350 - D */**</b>
09 2P+E 16A CEE sockets
09 RCBOs 1P+N 16A 0,03 6KA

<b>D325 H1350 - E *</b>
04 2P+E 16A CEE sockets
04 RCBOs 1P+N 16A 0,03 6KA
01 3P+N+E 16A CEE socket
01 RCBO 4x16A 0,03 6ka
01 3P+N+E 32A CEE socket
01 RCBO 4x32A 0,03 6ka
01 3P+N+E 63A CEE fly socket
01 RCBO 4x63A 0,03 6ka

<b>D325 H1350 - F *</b>
04 SCHUKO sockets
04 RCBOs 1P+N 16A 0,03 6KA
01 3P+N+E 16A CEE socket
01 RCBO 4x16A 0,03 6ka
01 3P+N+E 32A CEE socket
01 RCBO 4x32A 0,03 6ka
01 3P+N+E 63A CEE fly socket
01 RCBO 4x63A 0,03 6ka

**OPTIONAL ACCESSORIES**

- \* 01 or 02 ball valves 1/2" for water or compressed air
- 01 LED lighting kit
- 01 heating kit

- \*\* 01 or 02 RJ45 cat.06 data sockets

WITHOUT EQUIPMENT- ONLY STAINLESS STEEL PLATE TO MOUNT THE EQUIPMENT

EQUIPMENTS  
**IC-PR  
L200 H860**



**SUITABLE FOR**  
market areas, squares, showrooms,  
parks or hotels

IC-PR L200 H860 - A *
04 SCHUKO sockets
04 RCBOs 1P+N 16A 0,03 6KA

IC-PR L200 H860 - B *
04 2P+E 16A CEE sockets
04 RCBOs 1P+N 16A 0,03 6KA

IC-PR L200 H860 - C *
02 SCHUKO sockets
02 RCBOs 1P+N 16A 0,03 6KA
01 3P+N+E 16A inclined socket
01 RCBO 4x16A 0,03 6ka

**OPTIONAL ACCESSORIES**

- \* 01 ball valve 1/2" for water or compressed air
- 01 or 02 RJ45 cat.06 data sockets
- 01 LED lighting kit
- 01 heating kit

EQUIPMENTS  
**IC-PR  
L200 H1200**



**SUITABLE FOR**  
market areas, squares, showrooms,  
parks or hotels

IC-PR L200 H1200 - A *
06 SCHUKO sockets
06 RCBOs 1P+N 16A 0,03 6KA

IC-PR L200 H1200 - B *
06 2P+E 16A CEE SOCKETS
06 RCBOs 1P+N 16A 0,03 6KA

IC-PR L200 H1200 - C *
04 SCHUKO sockets
04 RCBOs 1P+N 16A 0,03 6KA
01 3P+N+E 16A inclined socket
01 RCBO 4x16A 0,03 6ka

**OPTIONAL ACCESSORIES**

- \* 01 or 02 ball valves 1/2" for water or compressed air
- 01 or 02 RJ45 cat.06 data sockets
- 01 LED lighting kit
- 01 heating kit

EQUIPMENTS  
**IC-PR  
L400 H1200**



**SUITABLE FOR**  
market areas, squares, showrooms,  
parks or hotels

IC-PR L400 H1200 - A *
04 SCHUKO sockets
04 RCBOs 1P+N 16A 0,03 6KA
01 3P+N+E 16A CEE socket
01 RCBO 4x16A 0,03 6ka
01 3P+N+E 32A CEE socket
01 RCBO 4x32A 0,03 6ka

IC-PR L400 H1200 - B *
04 2P+E 16A CEE sockets
04 RCBOs 1P+N 16A 0,03 6KA
01 3P+N+E 16A CEE socket
01 RCBO 4x16A 0,03 6ka
01 3P+N+E 32A CEE socket
01 RCBO 4x32A 0,03 6ka

IC-PR L400 H1200 - C *
02 2P+E 16A CEE sockets
02 RCBOs 1P+N 16A 0,03 6KA
02 3P+N+E 32A CEEsocket
02 RCBO 4x32A 0,03 6ka

IC-PR L400 H1200 - D *
08 2P+E 16A CEE sockets
08 RCBOs 1P+N 16A 0,03 6KA

IC-PR L400 H1200 - E *
06 SCHUKO sockets
06 RCBOs 1P+N 16A 0,03 6KA
01 3P+N+E 16A CEE socket
01 RCBO 4x16A 0,03 6ka
01 3P+N+E 32A CEE socket
01 RCBO 4x32A 0,03 6ka

IC-PR L400 H1200 - F *
06 2P+E 16A CEE sockets
06 RCBOs 1P+N 16A 0,03 6KA
01 3P+N+E 16A CEE socket
01 RCBO 4x16A 0,03 6ka
01 3P+N+E 32A CEE socket
01 RCBO 4x32A 0,03 6ka

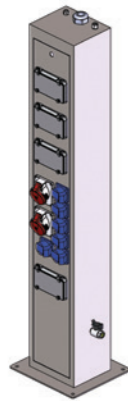
IC-PR L400 H1200 - G *
04 2P+E 16A CEE sockets
04 RCBOs 1P+N 16A 0,03 6KA
02 3P+N+E 32A CEEsocket
02 RCBO 4x32A 0,03 6ka

IC-PR L400 H1200 - H *
10 2P+E 16A CEE sockets
10 RCBOs 1P+N 16A 0,03 6KA

**OPTIONAL ACCESSORIES**

- \* 01 or 02 ball valves 1/2" for water or compressed air
- 01 heating kit
- 01 or 02 RJ45 cat.06 data sockets
- 01 LED lighting kit

## INDUSTRIA



## SUITABLE FOR

workshops or industrial areas

**INDUSTRIA - A \***

06 SCHUKO sockets
03 RCBOs 1P+N 16A 0,03 6KA
02 3P+N+E 16A CEE sockets
02 RCBOs 4x16A 0,03 6ka
01 MCB 4x63A 6ka

**INDUSTRIA - B \*/\*\***

06 SCHUKO sockets
03 RCBOs 1P+N 16A 0,03 6KA
01 2P+E 16A CEE socket
01 RCBO 1P+N 16A 0,03 6ka
01 MCB 4x63A 6ka

**INDUSTRIA - C \*/\*\***

10 SCHUKO sockets
05 RCBOs 1P+N 16A 0,03 6KA
01 2P+E 16A CEE socket
01 RCBO 1P+N 16A 0,03 6ka
01 MCB 4x63A 6ka

**INDUSTRIA - D \*/\*\***

04 SCHUKO sockets
01 2P+E 16A CEE socket
04 RCBOs 1P+N 16A 0,03 6KA
01 3P+N+E 16A CEE socket
01 RCBO 4x16A 0,03 6ka
01 MCB 4x63A 6ka

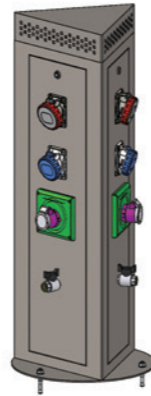
## OPTIONAL ACCESSORIES

\* 01 or 02 ball valves 1/2"  
for water or compressed air  
01 or 02 RJ45 cat.06 data sockets  
01 heating kit

\*\* 01 kit luce LED

WITHOUT EQUIPMENT- ONLY STAINLESS STEEL PLATE TO MOUNT THE EQUIPMENT

## MAYA



## SUITABLE FOR

waterfronts and harbors or camping sites

**MAYA - A \***

04 2P+E 16A CEE sockets
04 RCBOs 1P+N 16A 0,03 6KA

**MAYA - B \***

02 2P+E 16A CEE sockets
02 RCBOs 1P+N 16A 0,03 6KA
02 3P+N+E 16A CEE sockets
02 RCBOs 4x16A 0,03 6ka

**MAYA - C \***

02 2P+E 16A CEE sockets
02 RCBOs 1P+N 16A 0,03 6KA
02 3P+N+E 32A CEE sockets
02 RCBOs 4x32A 0,03 6ka

**MAYA - D \***

06 2P+E 16A CEE sockets
06 RCBOs 1P+N 16A 0,03 6KA

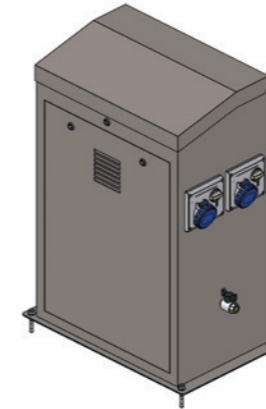
**MAYA - E \***

<b>only for 500x500x500 H1200</b>
01 3P+N+E 250A CEE socket with its protection
<b>EQUIPMENT</b> marca MARECHAL

## OPTIONAL ACCESSORIES

\* 01 or 02 ball valves 1/2"  
for water or compressed air  
01 LED lighting kit

## HARBOUR



## SUITABLE FOR

waterfronts and harbors

**HARBOUR - A \***

04 2P+E 16A CEE sockets
04 RCBOs 1P+N 16A 0,03 6KA

**HARBOUR - B \***

04 2P+E 16A interlocked sockets
04 RCBOs 1P+N 16A 0,03 6KA

**HARBOUR - C \***

02 2P+E 16A CEE sockets
02 RCBOs 1P+N 16A 0,03 6KA
02 3P+N+E 16A CEE sockets
02 RCBOs 4x16A 0,03 6ka

**HARBOUR - D \***

02 2P+E 16A interlocked sockets
02 RCBOs 1P+N 16A 0,03 6KA
02 3P+N+E 16A interlocked sockets
02 RCBOs 4x16A 0,03 6ka

**HARBOUR - E \***

02 2P+E 16A CEE sockets
02 RCBOs 1P+N 16A 0,03 6KA
02 3P+N+E 32A CEE sockets
02 RCBOs 4x32A 0,03 6ka

**HARBOUR - F \***

02 2P+E 16A interlocked sockets
02 RCBOs 1P+N 16A 0,03 6KA
02 3P+N+E 32A interlocked sockets
02 RCBOs 4x32A 0,03 6ka

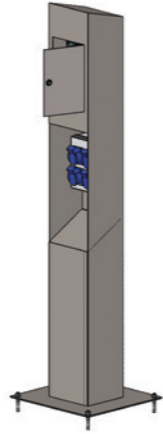
## OPTIONAL ACCESSORIES

\* 01 or 02 ball valves 1/2"  
for water or compressed air  
01 LED lighting kit

WITHOUT EQUIPMENT- ONLY STAINLESS STEEL PLATE TO MOUNT THE EQUIPMENT

EQUIPMENTS

## PRATIKA



## SUITABLE FOR

waterfronts and harbors or camping sites

## PRATIKA - A \*

04 2P+E 16A CEE sockets
04 RCBOs 1P+N 16A 0,03 6KA

## PRATIKA - B \*

02 3P+N+E 16A CEE sockets
02 RCBOs 4x16A 0,03 6ka

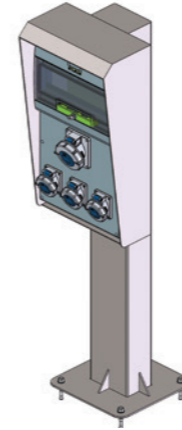
## PRATIKA - C \*

02 3P+N+E 32A CEE sockets
02 RCBOs 4x32A 0,03 6ka

## OPTIONAL ACCESSORIES

\* 01 or 02 ball valves 1/2"  
for water or compressed air  
01 LED lighting kit

EQUIPMENTS

SIMPLY  
mono

## SUITABLE FOR

campsites and small harbors

## SIMPLY MONO - A \*

04 2P+E 16A CEE sockets
04 RCBOs 1P+N 16A 0,03 6KA

## SIMPLY MONO - B \*

04 2P+E 16A CEE sockets
04 RCBOs 1P+N 16A 0,03 6KA
01 main switch 32A

## SIMPLY MONO - C \*

03 2P+E 16A CEE sockets
03 RCBOs 1P+N 16A 0,03 6KA
01 3P+N+E 16A CEE socket
01 RCBO 4x16A 0,03 6KA

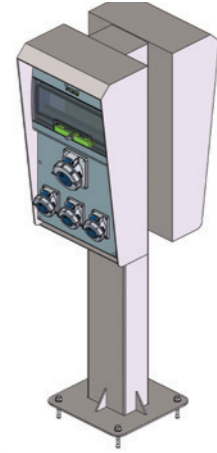
## SIMPLY MONO - D \*

02 2P+E 16A CEE sockets
02 RCBOs 1P+N 16A 0,03 6KA
02 3P+N+E 32A CEE sockets
02 RCBOs 4x32A 0,03 6KA

## OPTIONAL ACCESSORIES

\* 01 or 02 ball valves 1/2" for water or  
compressed air  
01 LED lighting kit  
01 heating kit

EQUIPMENTS

SIMPLY  
bi

## SUITABLE FOR

campsites and small harbors

## SIMPLY BI - A \*

08 2P+E 16A CEE sockets
08 RCBOs 1P+N 16A 0,03 6KA

## SIMPLY BI - B \*

08 2P+E 16A CEE sockets
08 RCBOs 1P+N 16A 0,03 6KA
02 main switches 32A

## SIMPLY BI - C \*

06 2P+E 16A CEE sockets
06 RCBOs 1P+N 16A 0,03 6KA
02 3P+N+E 16A CEE sockets
02 RCBOs 4x16A 0,03 6KA

## SIMPLY BI - D \*

04 2P+E 16A CEE sockets
04 RCBOs 1P+N 16A 0,03 6KA
04 3P+N+E 32A CEE sockets
04 RCBOs 4x32A 0,03 6KA

## OPTIONAL ACCESSORIES

\* 01 or 02 ball valves 1/2" for water or  
compressed air  
01 LED lighting kit  
01 heating kit

# PREPAID SYSTEM

- STAND ALONE
- WITH CONTROL TOTEM

## NEW VMR S.r.l.

can integrate to its supply units two types of prepaid system, both based on rechargeable BADGE cards:

### VERSION WITH CONTROL TOTEM UNIT

This type of prepaid system is useful when it comes down to big camping areas or harbours, due to the fact that allows boh to monitor the consumption and to change the fees from the office

### VERSION STAND ALONE

This type is useful in the case of small plants such as market areas or small campsites, where the operator can charge only what is actually consumed, without the need to constantly monitor individual users during the operations of supplying the electricity or water network

## STAND ALONE PREPAID SYSTEM

New VMR S.r.l. can integrate to its supply units a prepaid system based on rechargeable BADGE cards, named by STAND ALONE; each unit will be completed with its RFID reader and buttons to select the desired outlets.

STAND ALONE prepaid system has the following functions:

For the owner it is the instrument to control the consumptions according to a fee, that can be modify thanks to BADGE MASTER card

For the final users it is the instrument to gain access to the outlets and pay just what it has been consumed by using the BADGE card; the BADGE card allows enable the outlets and, once finished, it is possible to disable them, checking the credit left on the BADGE card now updated and corresponding to how much it has been consumed

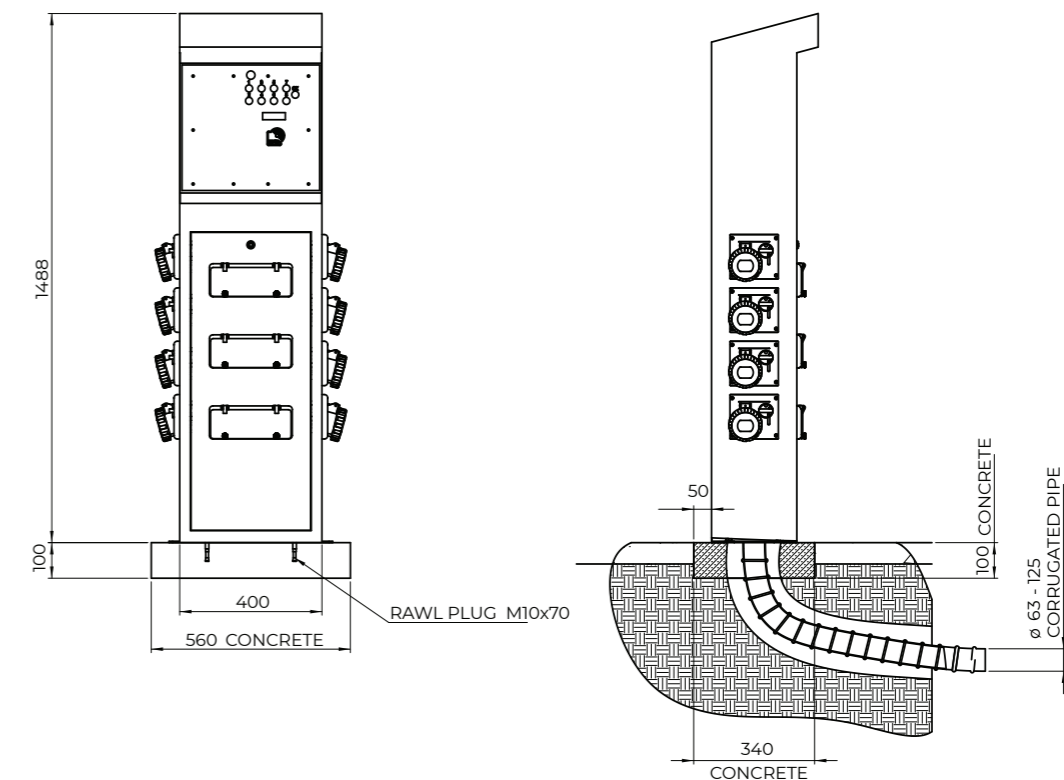
## EXTRAS AND OPTIONAL DEVICES

### WALL CASH

AISI304 stainless steel, or AISI316L on demand, wall cash box to recharge the BADGE cards with coins or banknotes.

Completed with RFID reader and microSD slot to be used to control that the money inside corresponding to the import recorded in the microSD.

## STAND ALONE





## PREPAID SYSTEM WITH CONTROL TOTEM

### NEW VMR S.r.l.

can integrate to its supply units a prepaid system based on

#### RECHARGEABLE BADGE CARDS;

the system is completed with the

#### CONTROL TOTEM UNIT,

which allows to enable/disable the outlets of each supply units and remotely to change the fees and monitor the consumptions.

The system will be completed with the supply units, each connected by BUS network cables to the Control Totem, core of the system and that has the following functions:

### 01

For the owner it is the instrument to control the consumptions and change the fees remotely from the office; Control Totem is connected to the Internet network of the plant by BUS cables

### 02

consumed by using the BADGE card; thanks to the touch screen mounted on the Control Totem is possible to select the supply units and the desired outlets and, once finished, it is possible to disable the outlets and check the credit left on the BADGE card corresponding to how much it has been consumed

Prepaid system with

#### RECHARGEABLE BADGE CARDS and CONTROL TOTEM BY NEW VMR S.R.L.,

useful to remotely monitor the consumptions and change the fees of the plant from the office placed locally and completed with desk RFID reader, credit-management software and BADGE cards.

#### CONTROL TOTEM UNIT OF THE URBAN TECHNOLOGY LINE BY NEW VMR S.R.L.

made of AISI304 stainless steel (AISI316L on demand and if installed in sea areas), completed with RFID reader and touch screen to select the supply units and the desired outlets. Hidden panel with control unit box and PC server module. To be connected to the power alimentation and to the Internet network on site by BUS cables. Variable dimensions according to the size of the plant it has to control.

### EXTRAS AND OPTIONAL DEVICES

#### REMOTE SW LICENSE

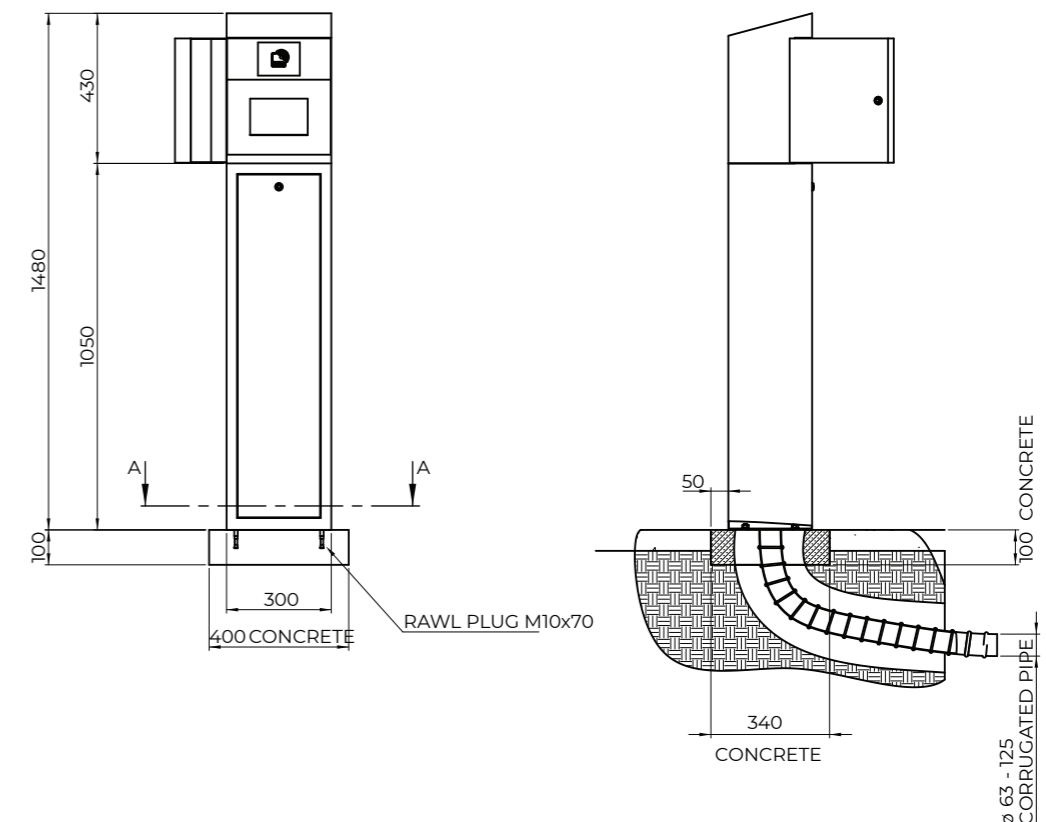
license that allows to remotely monitor the consumptions and change the fees from devices not connected to the Internet network present on site.

#### WALL CASH

AISI304 stainless steel, or AISI316L on demand, wall cash box to recharge the BADGE cards with coins or banknotes.

Completed with RFID reader and microSD slot to be used to control that the money inside corresponding to the import recorded in the microSD.

### TOTEM DI CONTROLLO



## AVAILABLE FINISH AND COLOURS

AISI 304/316L Stainless steel, brushed or mirror finish  
 AISI 304/316L Stainless steel painted RAL colours and with airbrushed logos on demand

1000	1001	1002	1003	1004	1005	1006	1007
1011	1012	1013	1014	1015	1016	1017	1018
1019	1020	1021	1023	1024	1027	10028	10032
1033	1034	2000	2001	2002	2003	2004	2008
2009	2010	2011	2012	3000	3001	3002	3003
3004	3005	3007	3009	3011	3012	3013	3014
3015	3016	3017	3018	3020	3022	3027	3031
4001	4002	4003	4004	4005	4006	4007	4008
4009	5000	5001	5002	5003	5004	5005	5007
5008	5009	5010	5011	5012	5013	5014	5015
5017	5018	5019	5020	5021	5022	5023	5024
6000	6001	6002	6003	6004	6005	6006	6007
6008	6009	6010	6011	6012	6013	6014	6015
6016	6017	6018	6019	6020	6021	6022	6024
6025	6026	6027	6028	6029	6032	6033	6034
7000	7001	7001	7002	7003	7004	7005	7006
7008	7009	7010	7011	7012	7013	7015	7016
7021	7022	7023	7024	7026	7030	7031	7032
7033	7034	7035	7036	7037	7038	7039	7040
7042	7043	7044	8000	8001	8002	8003	8004
8007	8008	8011	8012	8014	8015	8016	8017
8019	8022	8023	8024	8025	8028	9001	9002
9003	9004	9005	9010	9011	9016	9017	9018

The images are solely intended to represent the range of available finishes. Colour variations between the printed version and real sample are therefore possible.



[WWW.VMRSRL.COM](http://WWW.VMRSRL.COM)

**NEW VMR S.R.L.**

VIA LARIO 31, 22060 CANTÙ (CO) ITALY

+39 031 704673 | 031 7090081

[INFO@VMRSRL.COM](mailto:INFO@VMRSRL.COM)

P.IVA 03230340139